

TourGo
Your Best Solution Provider

途格世纪科技有限公司
TourGo Event Solution Co.,Limited



TourGo Event Solution Co.,Limited

✉ info@tourgosolution.com

☎ +86-13417328556

☎ +86-755-28416965

🌐 www.tourgosolution.com

📍 3 Floor ,Building A Xinchao Industrial Park,
Longhua District, Shenzhen ,China

www.tourgosolution.com

COMPANY PROFILE

Tourgo your Best Solution Provider

TourGo (TourGo Event Solution Co., LTD)started in 1998 is devoted to the design, development and manufacture of problem-solving products including Flight Cases ,Musical Equipment Box ,Padded Bags and more .

Following changes in the market place both internationally and locally, and the rapid development of company ,in 2005 we began to manufacture aluminum truss and stage for concert and event .We designed and fabricated stage truss for Jackie Chan concert ;Pakistani government elections;Malaysia May Day; Shanghai spring international music festival;Reading and Leeds; Festival Washington DC International Competitions and some large International projects .

Focusing on the professional end of the market they wanted to develop a product that was durable and affordable for wedding solution. In 2008, TourGo designed pipe & drape system ,dance floor and added to the range , we began attending Frankfurt trade show since this year .

In 2009,we setup a new factory specialized in manufacturing interpreter booths for conference solution,and become the first one who make the interpreter booths located in China . In 2010, Our interpreter booths are used in EXPO 2010 Shanghai China .In 2014,we became the designated interpreter booths supplier for 2014 World Cup in Brazil. In 2015, Africa summit became our partners; And also we worked with G20 summit; Asia-Pacific Economic Cooperation...

TourGo has always maintained their design capabilities,"Much of our new products is driven by client requests. "We are always designing new or custom products specifically to provide a solution,,"

In 2012, We build a ninja solution design and production team and developed a wide kinds of ninja obstacles ,such as Swing obstacles ,Jumping Obstacles ,Balance Obstacles ,Climbing Obstacles ,Trampoline ...We are determined to be the best ninja obstacles solution provider .

For over 20 Years TourGo has been providing flight cases ,stages, trussing, scaffold, barriers, dance floor ,interpreter booth,stage effect,stage lighting...for all types of events. We cover events ranging from conferences, film shoots, weddings, to full on music festivals.

Today TourGo have plenty of customers and distributors located in different countries,such as Seattle ,LA,Dallas.. in USA ,Mexico City , Kingston Jamaica, Trinidad and Tobago, Sydney Australia, Auckland New Zealand, Riyadh KSA, Manila Philippine, Bangkok Thailand, Jakarta Indonesia, Hochiminh Vietnam, Stockholm Sweden ,We always welcome you to join us.

We have a team of long-serving, dedicated staff who pride themselves on customer service. Even after all these years, they are still looking to improve their service.We also have an in house design department that can sit down with each client to layout there entire event. We can help our clients make there vision a reality. We can engineer just about any stage or temporary structure to support you rigging needs.

Even if you have no any experience about your projects ,don' t worry, TourGo is here to help our client make there production a success.

TourGo ,your best solution provider !

CERTIFICATIONS

Tourgo your Best Solution Provider



FACTORY WORKSHOP

Tourgo your Best Solution Provider



Raw material storage warehouse



Welding workshop



Metal drilling



Workshop for metal product



The frame for portable stage process



Raw material Adjustable Upright



Interpreter booths workshop



Plywood raw material



Screw tap processing for upright



Stock Items



Flight case for interpreter booths



High quality custom flight case



Aluminum tube cutting



Professional welders



Interpreter booths process



Plywood process workshop

PRODUCT TESTING

Tourgo your Best Solution Provider

290x290mm Spigot Truss Testing



400x400mm Spigot Truss Testing



Aluminum Stage Testing



12x12inch Bolt Truss Testing



WONDERFUL CASE

Tourgo your Best Solution Provider



WONDERFUL CASE

Tourgo your Best Solution Provider



CONTENT

Company Introduction

Company Introduction	01
Certifications	02
Factory Workshop	03-04
Product Testing	05
Wonderful Case	06-07

Standard Frame Parameters

Spigot-type Square Truss	09-10
Spigot-type Triangle Truss	11-12
Spigot-type Ladder Truss	13-14
Spigot-type Folding Truss	15
Bolt-type Heavy Duty Truss	17-18
Bolt-type Medium Duty Truss	19-20
Bolt-type Triangle Truss	21
Bolt-type Ladder Truss	22
Bolt-type Plate Truss	23
Curved/Circular Truss	24

Spare Parts

Spigot-type Truss Corner	25-26
Bolt-type Truss Corner	26
Truss Clamp	27-28
Truss Accessories	28
Crank Stand	29-30
Lifting Tower	31
LED Wall Ground Stacking	32
Electric Hoist	33
Manual Hoist	34
Crowd Barrier	35
TV Stand	36
Layer Truss	37
Pre Rig Truss	38
U Frame	39
Truss Trolley	40
Rotating Circle Truss	41
DJ Facade	42

Roof System

Spigot Truss Roof System	44-45
Bolt Truss Roof System	46-47
Display Truss	48-49
Finish / Start Lines	50
LED Truss	51
PA Tower Truss	52

Ninja Warrior Courses

Ninja Warrior Frame	53
Balance Jump	54
Swing Climb	55-56
Climb	57-58
Accessories	59
Design Drawing	60
Outdoor Ninja Warrior Course	61
Obstacle Super Ramp	62

Staging System

Aluminum Stage	63-64
Quick Stage	65-66
Modular Stage	67-69
Cable Protectors	70
Pipe & Drape	71-72
LED Star Curtain	73

Flooring System

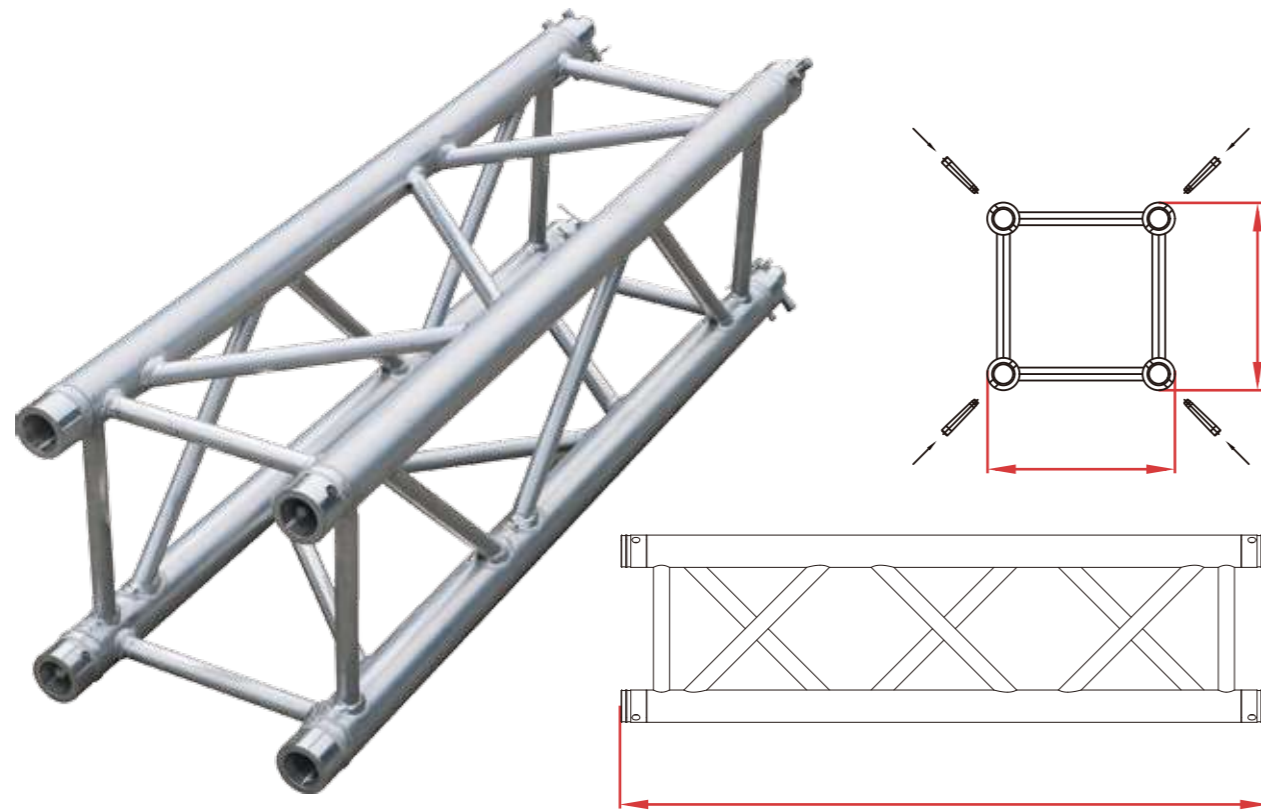
LED Starlit Dance Floor	74-75
PVC Dance Floor	76

Interpreter Booths

1-Person Interpreter Booths	77-78
2-Person Interpreter Booths	79-80
Easy-To-Elevator 2-Person Interpreter Booths	81-82
3-Person Interpreter Booths	83-84
Table Top Booths	85
Accessories	86

STANDARD FRAME PARAMETERS

SPIGOT-TYPE SQUARE TRUSS



100x100mm Spigot Truss, Main tube: $\varnothing 30 \times 2$ mm, Vice Tube: $\varnothing 16 \times 2$ mm, Brace tube: $\varnothing 12 \times 2$ mm
Materials: 6061-T6/6082-T6, it can be stretched to 6m with max load 70kg.

Model	TG-S-SQ10100	TG-S-SQ10200	TG-S-SQ10300
Length (mm)	1000	2000	3000

Span in meter (m)	2	3	4	5	6
Point load in(kg)	180	140.4	114	87.6	70
distrib.load in(kg/m)	315	167	94	58	34

200x200mm Spigot Truss, Main tube: $\varnothing 35 \times 3$ mm, Vice Tube: $\varnothing 20 \times 2$ mm, Brace tube: $\varnothing 16 \times 2$ mm
Materials: 6061-T6/6082-T6, it can be stretched to 8m with max load 123kg.

Model	TG-S-SQ20050	TG-S-SQ20100	TG-S-SQ20150	TG-S-SQ20200	TG-S-SQ20300	TG-S-SQ20400
Length (mm)	500	1000	1500	2000	3000	4000

Span in meter (m)	2	4	6	8
Point load in(kg)	379	258	168	123
distrib.load in(kg/m)	190	94	56	31

290x290mm Spigot Truss, Main tube: $\varnothing 50 \times 3$ mm, Vice Tube: $\varnothing 25 \times 3$ mm, Brace tube: $\varnothing 25 \times 3$ mm
Materials: 6061-T6/6082-T6, it can be stretched to 12m with max load 450kg.

Model	TG-S-SQ29100	TG-S-SQ29150	TG-S-SQ29200	TG-S-SQ29250	TG-S-SQ29300	TG-S-SQ29400
Length (mm)	1000	1500	2000	2500	3000	4000

Span in meter (m)	2	3	4	5	6	7	8	9	10	11	12
Point load in(kg)	996	923	867	817	772	727	682	637	592	545	450
distrib.load in(kg/m)	498	307	216	163	128	103	85	70	59.2	49	37

300x300mm Spigot Truss, Main tube: $\varnothing 50 \times 3$ mm, Vice Tube: $\varnothing 25 \times 3$ mm, Brace tube: $\varnothing 25 \times 3$ mm
Materials: 6061-T6/6082-T6, it can be stretched to 12m with max load 550kg.

Model	TG-S-SQ30100	TG-S-SQ30150	TG-S-SQ30200	TG-S-SQ30250	TG-S-SQ30300	TG-S-SQ30400
Length (mm)	1000	1500	2000	2500	3000	4000

Span in meter (m)	2	3	4	5	6	7	8	9	10	11	12
Point load in(kg)	1105	1062	991	933	881	832	781	720	682	621	550
distrib.load in(kg/m)	552	354	247	187	146	119	94	80	68.2	56	45

400x400mm Spigot Truss, Main tube: $\varnothing 50 \times 3$ mm, Vice Tube: $\varnothing 25 \times 3$ mm, Brace tube: $\varnothing 25 \times 3$ mm
Materials: 6061-T6/6082-T6, it can be stretched to 16m with max load 440kg.

Model	TG-S-SQ40100	TG-S-SQ40150	TG-S-SQ40200	TG-S-SQ40250	TG-S-SQ40300	TG-S-SQ40400
Length (mm)	1000	1500	2000	2500	3000	4000

Span in meter (m)	2	3	4	5	6	7	8	9	10	11	12	13	14	15	16
Point load in(kg)	2260	2150	1905	1725	1605	1408	1212	1065	905	742	677	607	547	472	440
distrib.load in(kg/m)	1130	716	476	345	267	201	152	118	90.5	67	56	46	39	31	27.5

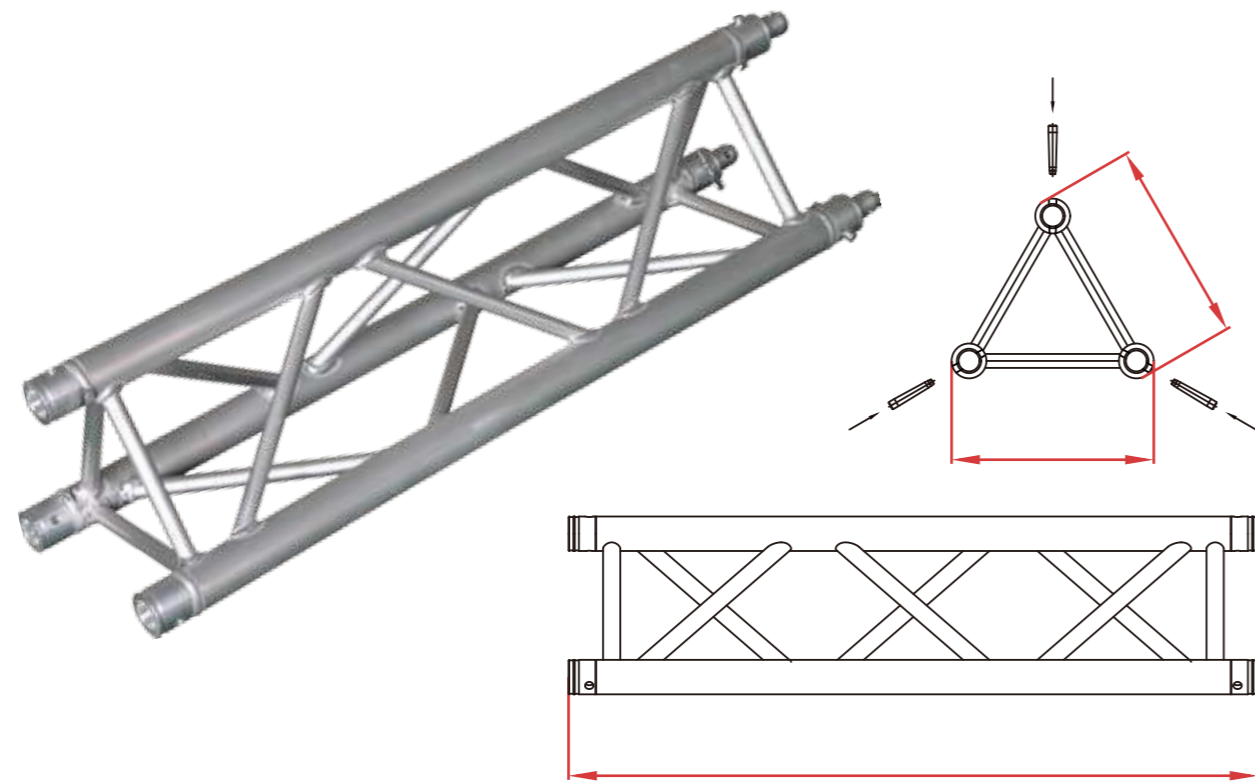
520x520mm Spigot Truss, Main tube: $\varnothing 50 \times 3$ mm, Vice Tube: $\varnothing 30 \times 3$ mm, Brace tube: $\varnothing 30 \times 3$ mm
Materials: 6061-T6/6082-T6, it can be stretched to 20m with max load 490kg.

Model	TG-S-SQ52050	TG-S-SQ52100	TG-S-SQ52200	TG-S-SQ52300	TG-S-SQ52400
Length (mm)	500	1000	2000	3000	4000

Span in meter (m)	2	4	6	8	10	12	14	16	18	20
Point load in(kg)	2200	1736	1349	1040	956	886	830	694	580.7	490
distrib.load in(kg/m)	1416	685.3	441.8	320	228.5	167.6	124	98.6	78.8	63

STANDARD FRAME PARAMETERS

SPIGOT-TYPE TRIANGLE TRUSS



200x200mm Spigot Truss, Main tube: $\varnothing 35 \times 2$ mm, Vice Tube: $\varnothing 20 \times 2$ mm, Brace tube: $\varnothing 16 \times 2$ mm
Materials: 6061-T6/6082-T6, it can be stretched to 8m with max load 50kg.

Model	TG-S-TR20050	TG-S-TR20100	TG-S-TR20150	TG-S-TR20200	TG-S-TR20300	TG-S-TR20400		
Length (mm)	500	1000	1500	2000	3000	4000		
Span in meter (m)	2		4		6		8	
Point load in(kg)	225		110		71		50	
distrib.load in(kg/m)	170		55		24		13	

290x290mm Spigot Truss, Main tube: $\varnothing 50 \times 3$ mm, Vice Tube: $\varnothing 25 \times 3$ mm, Brace tube: $\varnothing 25 \times 3$ mm,
Materials: 6061-T6/6082-T6, it can be stretched to 13m with max load 100kg.

Model	TG-S-TR29050	TG-S-TR29100	TG-S-TR29150	TG-S-TR29200	TG-S-TR29300	TG-S-TR29400					
Length (mm)	500	1000	1500	2000	3000	4000					
Span in meter (m)	3	4	5	6	7	8	9	10	11	12	13
Point load in(kg)	557	500	348	327	298	268	248	240	193	126	50
distrib.load in(kg/m)	371	250	139	109	85	67	55	48	35	21	8

300x300mm Spigot Truss, Main tube: $\varnothing 50 \times 3$ mm, Vice Tube: $\varnothing 25 \times 3$ mm, Brace tube: $\varnothing 25 \times 3$ mm
Materials: 6061-T6/6082-T6, it can be stretched to 13m with max load 110kg.

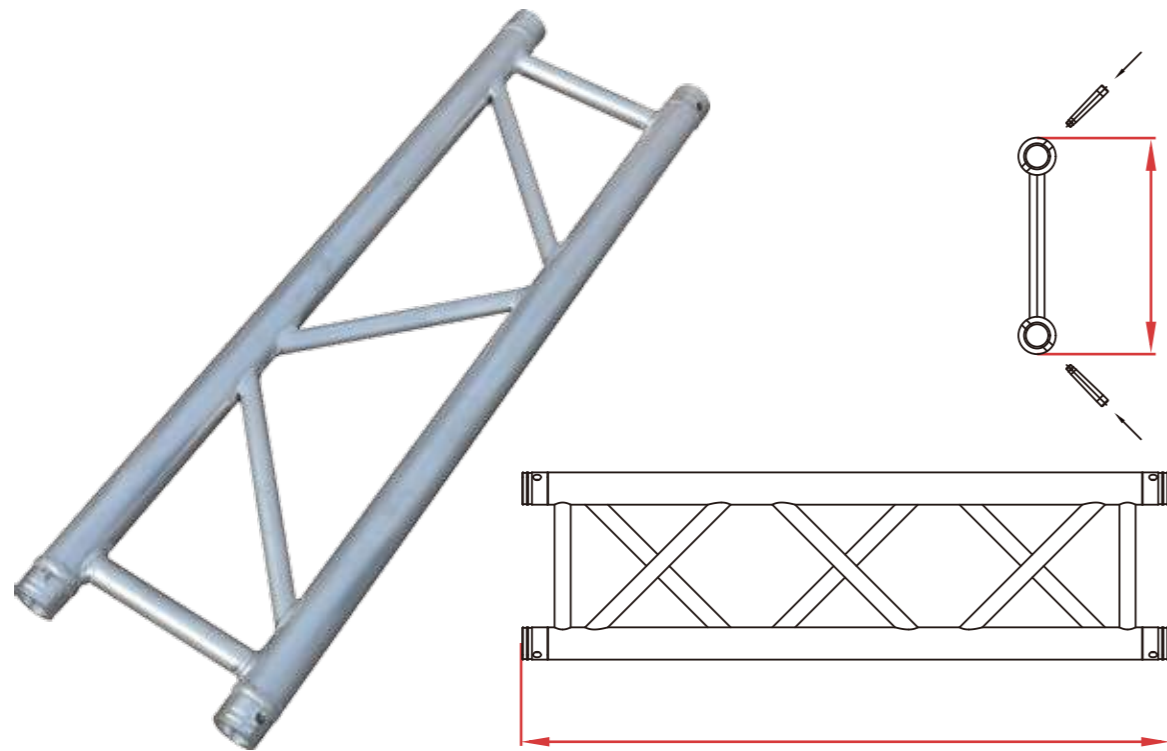
Model	TG-S-TR30050	TG-S-TR30100	TG-S-TR30150	TG-S-TR30200	TG-S-TR30300	TG-S-TR30400					
Length (mm)	500	1000	1500	2000	3000	4000					
Span in meter (m)	3	4	5	6	7	8	9	10	11	12	13
Point load in(kg)	587	522	375	345	319	316	275	265	215	150	55
distrib.load in(kg/m)	391	261	150	115	91	79	61	53	39	25	9

400x400mm Spigot Truss, Main tube: $\varnothing 50 \times 2$ mm, Vice Tube: $\varnothing 25 \times 3$ mm, Brace tube: $\varnothing 25 \times 3$ mm
Materials: 6061-T6/6082-T6, it can be stretched to 15m with max load 130kg.

Model	TG-S-TR40050	TG-S-TR40100	TG-S-TR40150	TG-S-TR40200	TG-S-TR40300	TG-S-TR40400					
Length (mm)	500	1000	1500	2000	3000	4000					
Span in meter (m)	5	6	7	8	9	10	11	12	13	14	15
Point load in(kg)	870	483	441	436	423	360	308	246	189	105	65
distrib.load in(kg/m)	348	161	126	109	94	72	56	41	29	15	9

STANDARD FRAME PARAMETERS

SPIGOT-TYPE LADDER TRUSS



200x200mm Spigot Truss, Main tube: $\varnothing 50 \times 3 \text{mm}$, Vice Tube: $\varnothing 30 \times 2 \text{mm}$, Brace tube: $\varnothing 30 \times 2 \text{mm}$
Materials: 6061-T6/6082-T6, it can be stretched to 6m with max load 23kg.

Model	TG-S-LA20050	TG-S-LA20100	TG-S-LA20150	TG-S-LA20200	TG-S-LA20300	TG-S-LA20400
Length (mm)	500	1000	1500	2000	3000	4000

Span in meter (m)	1	2	3	4	5	6
Point load in(kg)	199	194	190	160	141	125
distrib.load in(kg/m)	200	101	68	50	39	32

290x290mm Spigot Truss, Main tube: $\varnothing 50 \times 3 \text{mm}$, Vice Tube: $\varnothing 25 \times 3 \text{mm}$, Brace tube: $\varnothing 25 \times 3 \text{mm}$
Materials: 6061-T6/6082-T6, it can be stretched to 6m with max load 23kg.

Model	TG-S-LA29050	TG-S-LA29100	TG-S-LA29150	TG-S-LA29200	TG-S-LA29300	TG-S-LA29400
Length (mm)	500	1000	1500	2000	3000	4000

Span in meter (m)	1	2	3	4	5	6
Point load in(kg)	875	295	145	73	39	23
distrib.load in(kg/m)	875	295	95	34	18	8

300x300mm Spigot Truss, Main tube: $\varnothing 50 \times 3 \text{mm}$, Vice Tube: $\varnothing 25 \times 3 \text{mm}$, Brace tube: $\varnothing 25 \times 3 \text{mm}$
Materials: 6061-T6/6082-T6, it can be stretched to 6m with max load 26kg.

Model	TG-S-LA30050	TG-S-LA30100	TG-S-LA30150	TG-S-LA30200	TG-S-LA30300	TG-S-LA30400
Length (mm)	500	1000	1500	2000	3000	4000

Span in meter (m)	1	2	3	4	5	6
Point load in(kg)	992	339	171	88	50	26
distrib.load in(kg/m)	992	339	114	44	20	9

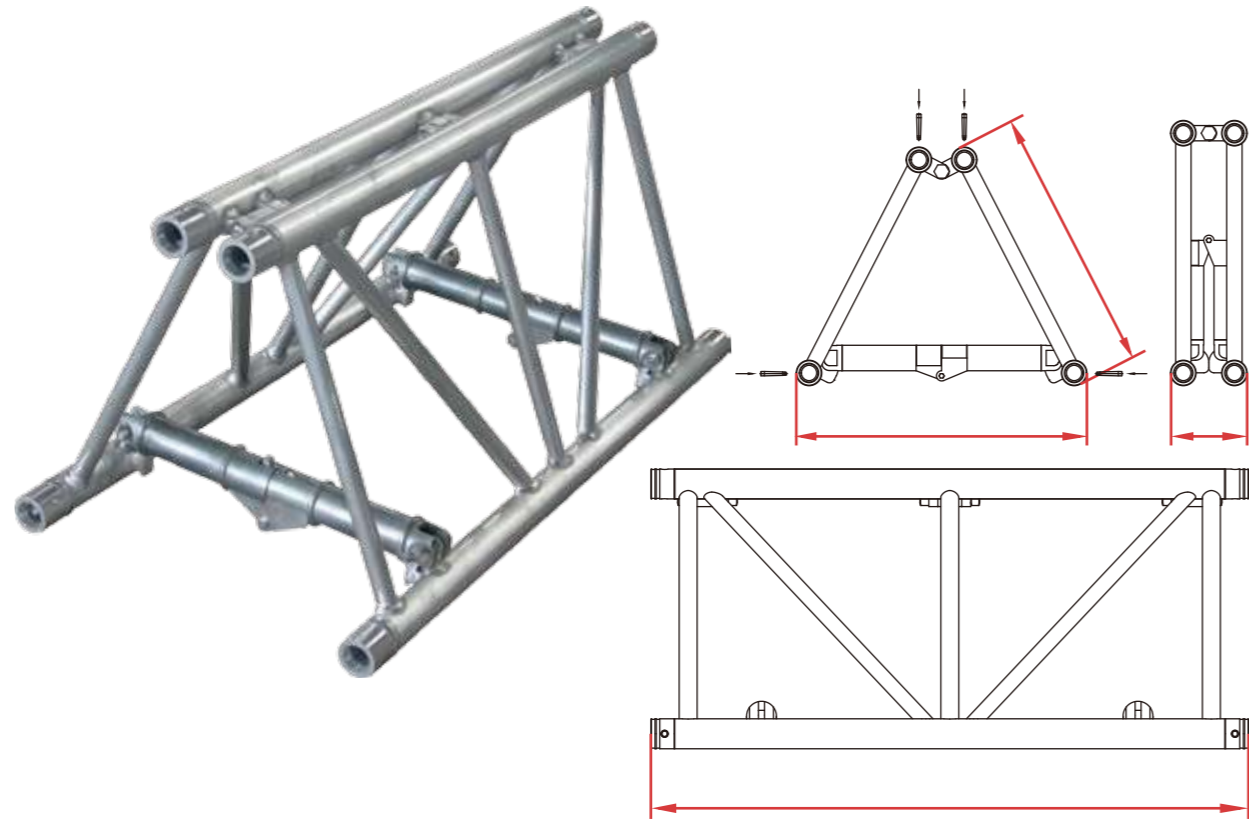
400x400mm Spigot Truss, Main tube: $\varnothing 50 \times 3 \text{mm}$, Vice Tube: $\varnothing 25 \times 3 \text{mm}$, Brace tube: $\varnothing 25 \times 3 \text{mm}$
Materials: 6061-T6/6082-T6, it can be stretched to 6m with max load 45kg.

Model	TG-S-LA40050	TG-S-LA40100	TG-S-LA40150	TG-S-LA40200	TG-S-LA40300	TG-S-LA40400
Length (mm)	500	1000	1500	2000	3000	4000

Span in meter (m)	1	2	3	4	5	6
Point load in(kg)	1020	553	264	129	75	45
distrib.load in(kg/m)	1020	553	174	62	27	17

STANDARD FRAME PARAMETERS

SPIGOT-TYPE FOLDING TRUSS



520x470mm Spigot Truss, Main tube: $\varnothing 50 \times 3$ mm, Vice Tube: $\varnothing 30 \times 2$ mm, Brace tube: $\varnothing 25 \times 2$ mm
Materials: 6061-T6/6082-T6, it can be stretched to 20m with max load 1055kg.

Model	TG-FT52X47050	TG-FT52X47100	TG-FT52X47200	TG-FT52X47300	TG-FT52X47400
Length (mm)	500	1000	2000	3000	4000

Span in meter (m)	6	7	8	9	10	11	12	13	14	15	16	17	18	19	20
Point load in(kg)	1898	1866	1832	1800	1767	1734	1701	1668	1634	1553	1455	1356	1253	1153	1055
distrib.load in(kg/m)	468	375	325	254	187	147	120	101	86	75	64	47	40	34	29

520x950mm Spigot Truss, Main tube: $\varnothing 50 \times 4$ mm, Vice Tube: $\varnothing 50 \times 3$ mm, Brace tube: $\varnothing 30 \times 2$ mm
Materials: 6061-T6/6082-T6, it can be stretched to 36m with max load 1179kg.

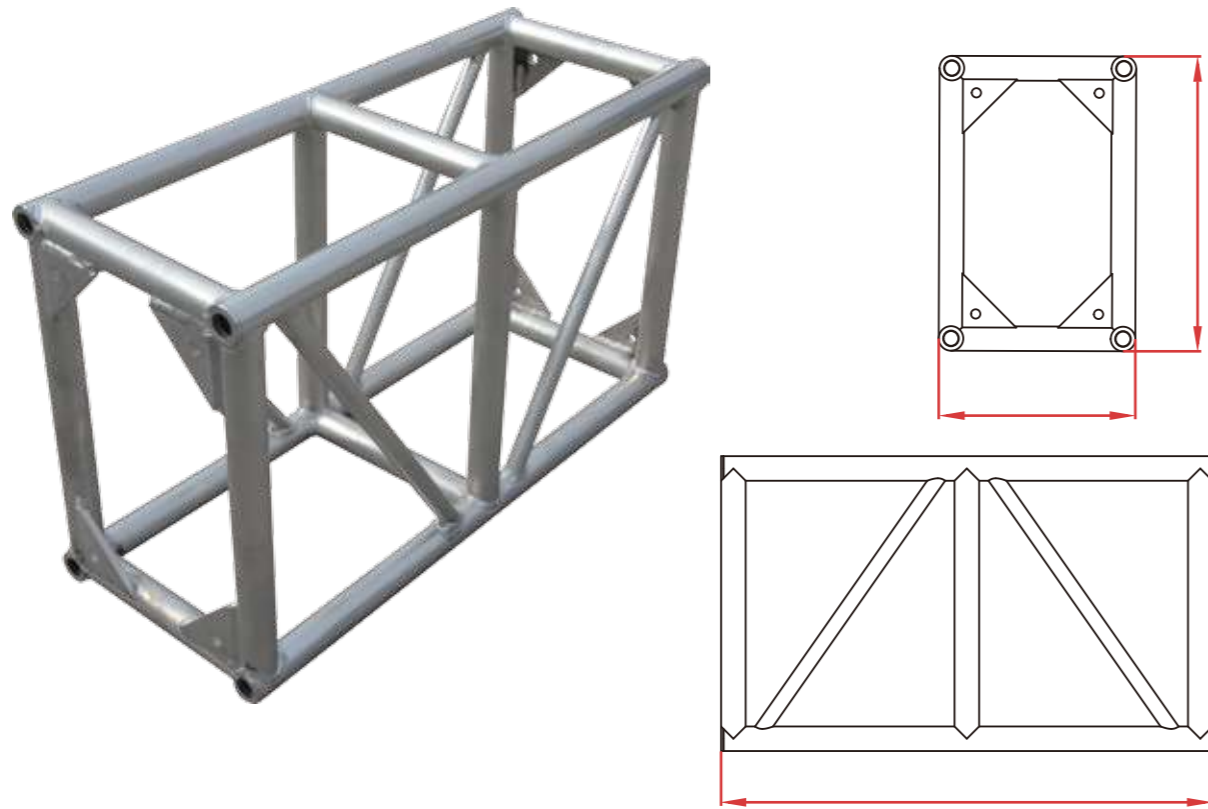
Model	TG-FT52X95050	TG-FT52X95100	TG-FT52X95200	TG-FT52X95300	TG-FT52X95400
Length (mm)	500	1000	2000	3000	4000

Span in meter (m)	6	8	10	12	14	16	18	20	22	26	28	30	32	34	36
Point load in(kg)	2809	2736	2696	2621	2358	2149	1964	1819	1687	1570	1478	1391	1314	1237	1179
distrib.load in(kg/m)	791	401	351	291	235	195	163	139	120	104	92	81	73	65	51



STANDARD FRAME PARAMETERS

BOLT-TYPE HEAVY DUTY TRUSS



300x300mm Bolt-type Plate Truss, Main tube: $\varnothing 50 \times 3$ mm, Vice Tube: $\varnothing 50 \times 2$ mm, Brace tube: 25×2 mm
Materials: 6061-T6/6082-T6, it can be stretched to 12m with max load 500kg.

Model	TG-B-SQ30050	TG-B-SQ30100	TG-B-SQ30200	TG-B-SQ30300
Length (mm)	500	1000	2000	3000

Span in meter (m)	2	3	4	5	6	7	8	9	10	11	12
Point load in(kg)	1050	985	925	875	825	775	715	675	615	545	500
distrib.load in(kg/m)	525	328	231	175	137.5	110	89	75	61.5	49	41

400x400mm Bolt-type Plate Truss, Main tube: $\varnothing 50 \times 3$ mm, Vice Tube: $\varnothing 50 \times 2$ mm, Brace tube: 25×2 mm
Materials: 6061-T6/6082-T6, it can be stretched to 16m with max load 400kg.

Model	TG-B-SQ40050	TG-B-SQ40100	TG-B-SQ40200	TG-B-SQ40300	TG-B-SQ40400
Length (mm)	500	1000	2000	3000	4000

Span in meter (m)	2	3	4	5	6	7	8	9	10	11	12	13	14	15	16
Point load in(kg)	2240	2133	1890	1710	1586	1396	1210	1050	890	730	665	595	535	465	400
distrib.load in(kg/m)	1120	711	472	342	226	199	151	116	89	66	55	45	38	31	25

400x600mm Bolt-type Plate Truss, Main tube: $\varnothing 50 \times 3$ mm, Vice Tube: $\varnothing 50 \times 2$ mm, Brace tube: 30×2 mm
Materials: 6061-T6/6082-T6, it can be stretched to 17m with max load 600kg.

Model	TG-B-SQ46050	TG-B-SQ46100	TG-B-SQ46200	TG-B-SQ46300	TG-B-SQ46400
Length (mm)	500	1000	2000	3000	4000

Span in meter (m)	2	3	4	5	6	7	8	9	10	11	12	13	14	15	16	17
Point load in(kg)	2766	2496	2310	2016	1896	1641	1446	1252	1132	1012	925	840	735	680	635	600
distrib.load in(kg/m)	1383	832	577	403	316	234	180	139	113.2	92	77	65	52.5	45	39	35

500x600mm Bolt-type Plate Truss, Main tube: $\varnothing 50 \times 3$ mm, Vice Tube: $\varnothing 50 \times 2$ mm, Brace tube: 30×2 mm
Materials: 6061-T6/6082-T6, it can be stretched to 19m with max load 700kg.

Model	TG-B-SQ5060050	TG-B-SQ5060100	TG-B-SQ5060200	TG-B-SQ5060300	TG-B-SQ5060400
Length (mm)	500	1000	2000	3000	4000

Span in meter (m)	2	3	4	5	6	7	8	9	10	11	12	13	14	15	16	17	18	19
Point load in(kg)	2926	2646	2460	2166	2046	1791	1596	1402	1282	1215	1125	1060	990	925	860	805	745	700
distrib.load in(kg/m)	1463	882	615	433	341	255	177	155	128	110	93	75	66	61	53	47	41	36

520x760mm Bolt-type Plate Truss, Main tube: $\varnothing 50 \times 3$ mm, Vice Tube: $\varnothing 50 \times 2$ mm, Brace tube: 30×2 mm
Materials: 6061-T6/6082-T6, it can be stretched to 22m with max load 800kg.

Model	TG-B-SQ5276050	TG-B-SQ5276100	TG-B-SQ5276200	TG-B-SQ5276300	TG-B-SQ5276400
Length (mm)	500	1000	2000	3000	4000

Span in meter (m)	6	7	8	9	10	11	12	13	14	15	16	17	18	19	20	21	22
Point load in(kg)	2370	2240	2115	1995	1875	1750	1625	1505	1420	1315	1225	1140	1065	980	915	855	800
distrib.load in(kg/m)	395	320	264	221	188	159	135	115	101	87	76	67	59	51	46	41	36

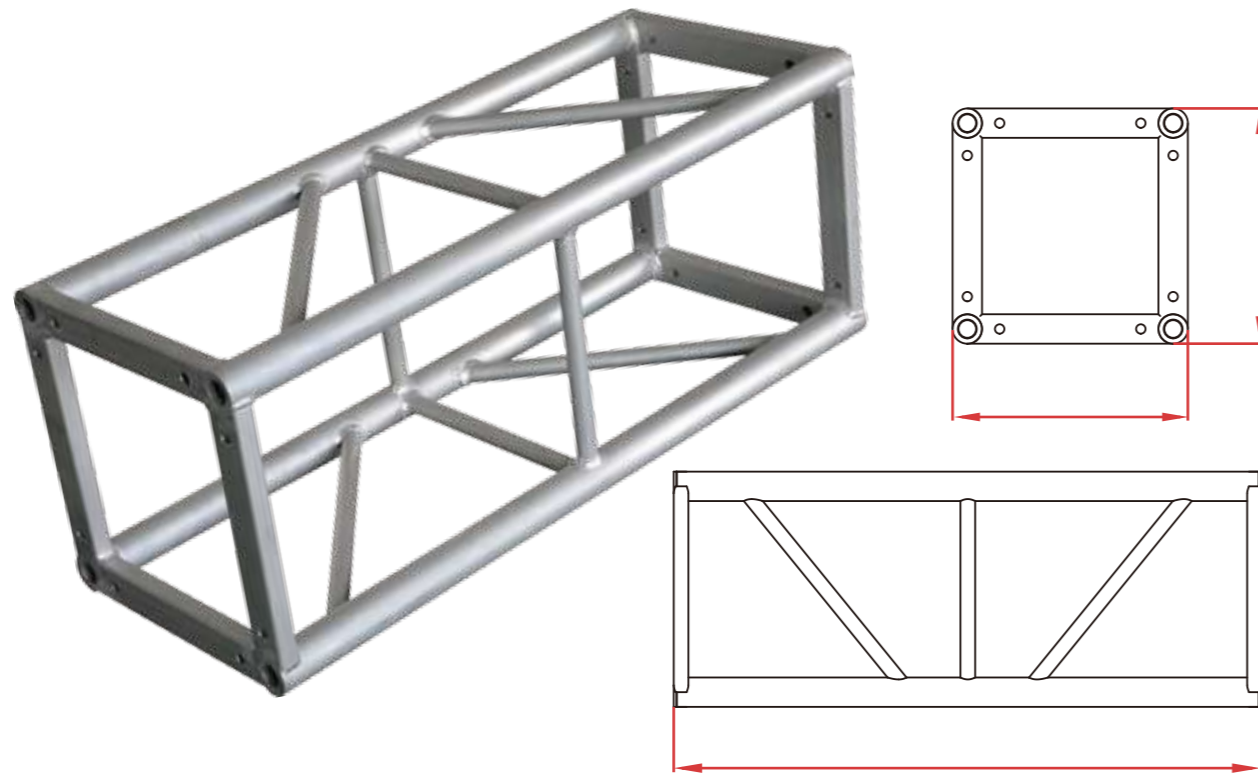
600x760mm Bolt-type Plate Truss, Main tube: $\varnothing 50 \times 3$ mm, Vice Tube: $\varnothing 50 \times 2$ mm, Brace tube: 30×2 mm
Materials: 6061-T6/6082-T6, it can be stretched to 24m with max load 800kg.

Model	TG-B-SQ6076050	TG-B-SQ6076100	TG-B-SQ6076200	TG-B-SQ6076300	TG-B-SQ6076400
Length (mm)	500	1000	2000	3000	4000

Span in meter (m)	6	7	8	9	10	11	12	13	14	15	16	17	18	19	20	21	22	23	24
Point load in(kg)	2806	2656	2526	2396	2271	2146	2021	1896	1771	1646	1521	1396	1276	1156	1071	996	925	856	800
distrib.load in(kg/m)	467	379	315	266	227	195	168	145	127	110	95	82	70	62	54	47	41	37	33

STANDARD FRAME PARAMETERS

BOLT-TYPE MEDIUM DUTY TRUSS



200x200mm Bolt-type Screw Truss, Main tube: $\varnothing 35 \times 3$ mm, Vice Tube: $\varnothing 20 \times 2$ mm, Brace tube: 16×2 mm
Materials: 6061-T6/6082-T6, it can be stretched to 8m with max load 79kg.

Model	TG-B-SQ20050	TG-B-SQ20100	TG-B-SQ20200	TG-B-SQ20300	TG-B-SQ20400
Length (mm)	500	1000	2000	3000	4000
Span in meter (m)	2	4	6	8	
Point load in (kg)	243	165	108	79	
distrib. load in (kg/m)	122	61	36	20	

300x300mm Bolt-type Screw Truss, Main tube: $\varnothing 50 \times 3$ mm, Vice Tube: $\varnothing 30 \times 2$ mm, Brace tube: 25×2 mm
Materials: 6061-T6/6082-T6, it can be stretched to 12m with max load 350kg.

Model	TG-B-SQ30050	TG-B-SQ30100	TG-B-SQ30200	TG-B-SQ30300	TG-B-SQ30400						
Length (mm)	500	1000	2000	3000	4000						
Span in meter (m)	2	3	4	5	6	7	8	9	10	11	12
Point load in (kg)	1530	1360	998	788	649	553	496	450	420	385	350
distrib. load in (kg/m)	765	453	249	157	108	75	62	50	42	35	28

350x350mm Bolt-type Screw Truss, Main tube: $\varnothing 50 \times 3$ mm, Vice Tube: $\varnothing 30 \times 2$ mm, Brace tube: 25×2 mm
Materials: 6061-T6/6082-T6, it can be stretched to 12m with max load 400kg.

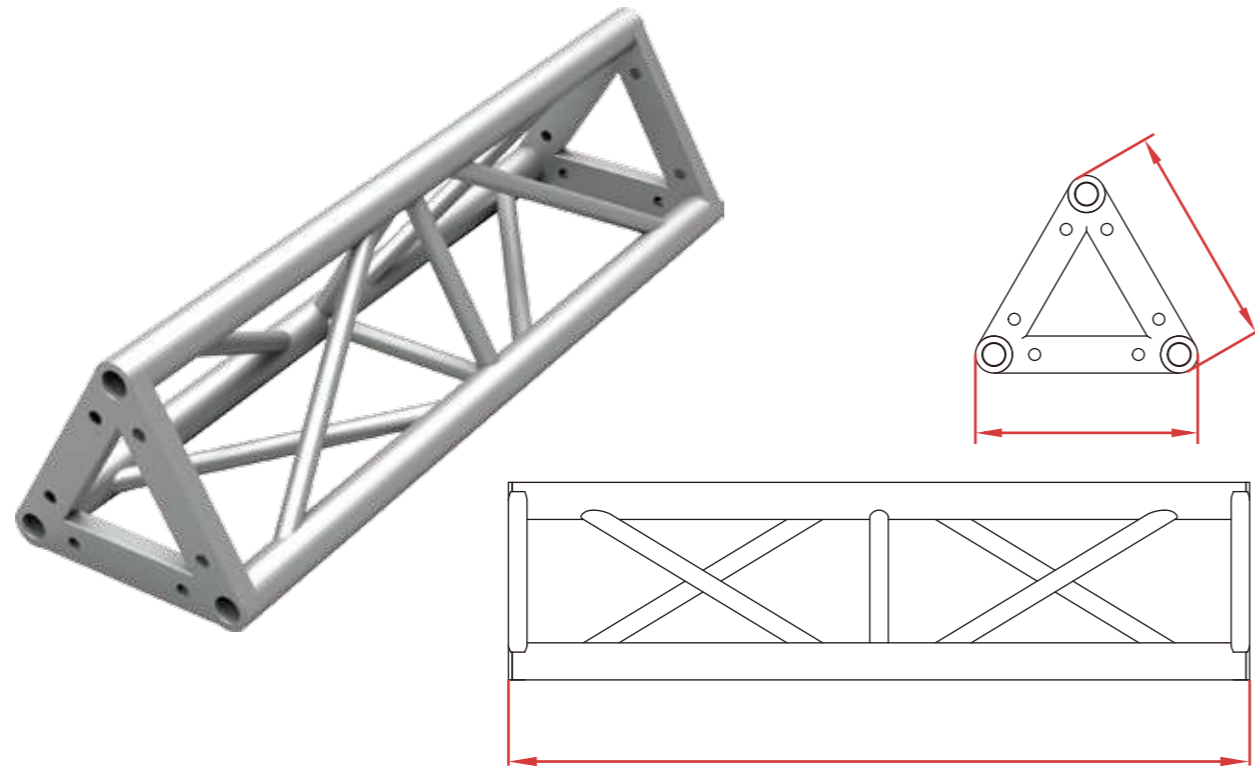
Model	TG-B-SQ35050	TG-B-SQ35100	TG-B-SQ35200	TG-B-SQ35300	TG-B-SQ35400						
Length (mm)	500	1000	2000	3000	4000						
Span in meter (m)	2	3	4	5	6	7	8	9	10	11	12
Point load in (kg)	1585	1415	1043	835	705	608	575	535	495	450	400
distrib. load in (kg/m)	792	471	260	167	117	86	71	59	49.5	40	33

400x400mm Bolt-type Screw Truss, Main tube: $\varnothing 50 \times 3$ mm, Vice Tube: $\varnothing 50 \times 2$ mm, Brace tube: 25×2 mm
Materials: 6061-T6/6082-T6, it can be stretched to 14m with max load 400kg.

Model	TG-B-SQ40050	TG-B-SQ40100	TG-B-SQ40200	TG-B-SQ40300	TG-B-SQ40400								
Length (mm)	500	1000	2000	3000	4000								
Span in meter (m)	2	3	4	5	6	7	8	9	10	11	12	13	14
Point load in (kg)	1635	1510	1385	986	825	756	683	612	575	525	485	436	400
distrib. load in (kg/m)	817	503	346	197	137	108	85	68	57.5	47	40	33	28

STANDARD FRAME PARAMETERS

BOLT-TYPE TRIANGLE TRUSS



300x300mm Bolt-type Screw Truss, Main tube: $\varnothing 50 \times 3$ mm, Vice Tube: $\varnothing 30 \times 2$ mm, Brace tube: 25×2 mm
Materials: 6061-T6/6082-T6, it can be stretched to 13m with max load 90kg.

Model	TG-B-TR30050	TG-B-TR30100	TG-B-TR30200	TG-B-TR30300	TG-B-TR30400
Length (mm)	500	1000	2000	3000	4000

Span in meter (m)	1	2	3	4	5	6	7	8	9	10	11	12	13
Point load in (kg)	1390	750	492	366	290	251	190	174	155	130	119	105	90
distrib.load in(kg/m)	1390	700	332	182	120	85	52	36	32	26	21	15	11

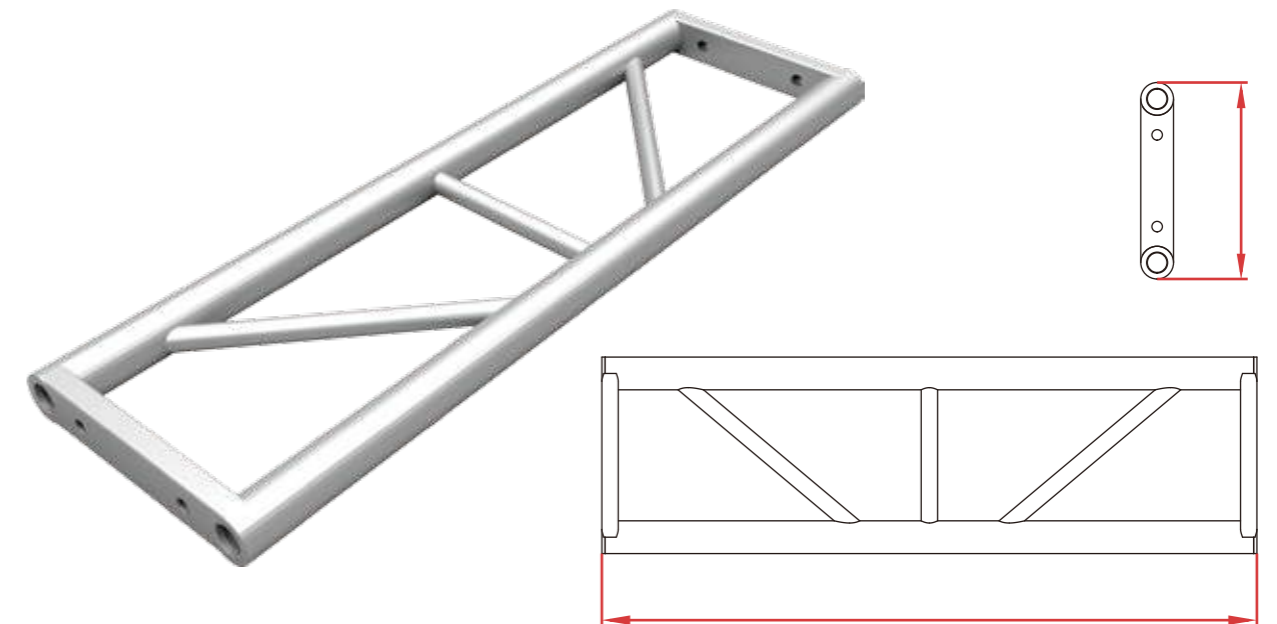
400x400mm Bolt-type Screw Truss, Main tube: $\varnothing 50 \times 3$ mm, Vice Tube: $\varnothing 30 \times 2$ mm, Brace tube: 25×2 mm
Materials: 6061-T6/6082-T6, it can be stretched to 13m with max load 120kg.

Model	TG-B-TR40050	TG-B-TR40100	TG-B-TR40200	TG-B-TR40300	TG-B-TR40400
Length (mm)	500	1000	2000	3000	4000

Span in meter (m)	1	2	3	4	5	6	7	8	9	10	11	12	13
Point load in (kg)	1496	897	595	445	360	317	243	228	190	157	151	135	120
distrib.load in(kg/m)	1496	855	416	339	154	132	115	98	88	65	49	35	25

STANDARD FRAME PARAMETERS

BOLT-TYPE LADDER TRUSS



300x300mm Bolt-type Screw Truss, Main tube: $\varnothing 50 \times 3$ mm, Vice Tube: $\varnothing 30 \times 2$ mm, Brace tube: 25×2 mm
Materials: 6061-T6/6082-T6, it can be stretched to 6m with max load 21kg.

Model	TG-B-LA30050	TG-B-LA30100	TG-B-LA30200	TG-B-LA30300	TG-B-LA30400
Length (mm)	500	1000	2000	3000	4000

Span in meter (m)	1	2	3	4	5	6
Point load in (kg)	730	266	130	66	40	21
distrib.load in(kg/m)	730	253	90	32	16	6

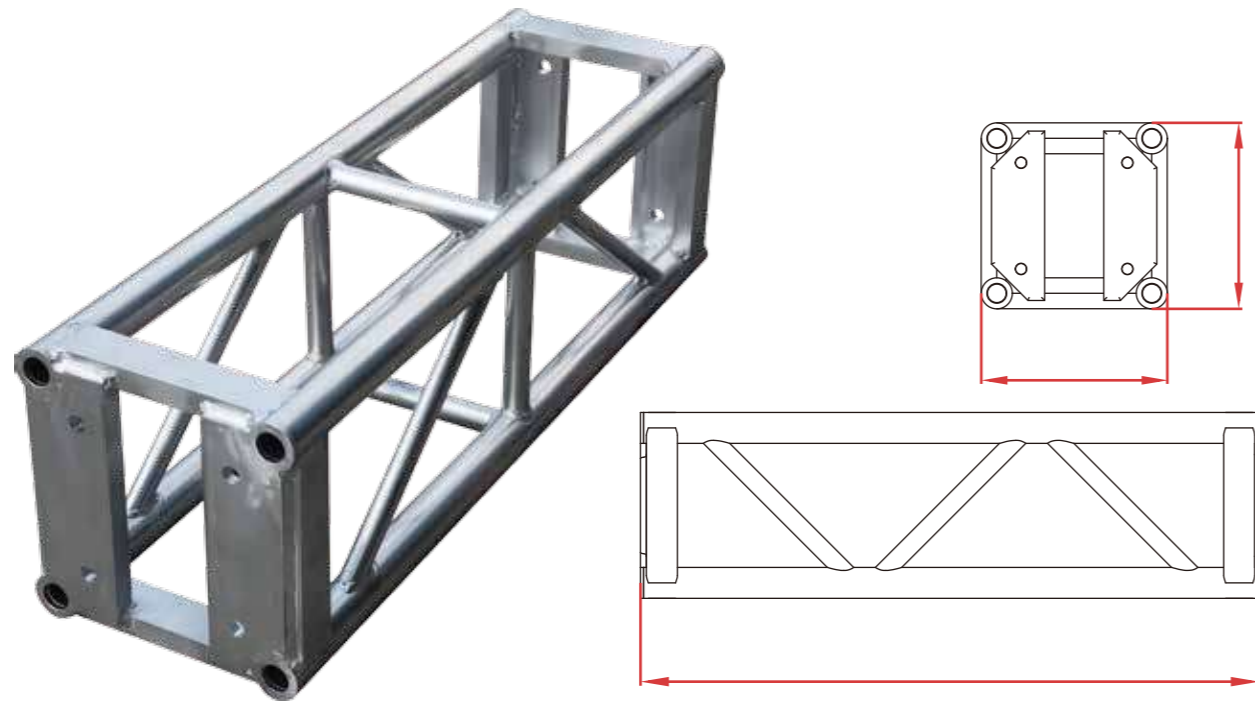
400x400mm Bolt-type Screw Truss, Main tube: $\varnothing 50 \times 3$ mm, Vice Tube: $\varnothing 30 \times 2$ mm, Brace tube: 25×2 mm
Materials: 6061-T6/6082-T6, it can be stretched to 6m with max load 30kg.

Model	TG-B-LA40050	TG-B-LA40100	TG-B-LA40200	TG-B-LA40300	TG-B-LA40400
Length (mm)	500	1000	2000	3000	4000

Span in meter (m)	1	2	3	4	5	6
Point load in (kg)	770	330	174	80	47	30
distrib.load in(kg/m)	770	330	108	42	19	10

STANDARD FRAME PARAMETERS

BOLT-TYPE PLATE TRUSS



305x305mm Bolt-type Plate Truss, Main tube: $\varnothing 50 \times 3 \text{mm}$, Vice Tube: $\varnothing 50 \times 2 \text{mm}$, Brace tube: $25 \times 3 \text{mm}$
Materials: 6061-T6/6082-T6, it can be stretched to 12m with max load 256kg.

Model	TG-TMSQ305050	TG-TMSQ305100	TG-TMSQ305150	TG-TMSQ305200	TG-TMSQ305250	TG-TMSQ305300
Length (mm)	500	1000	1500	2000	2500	3000

Span in meter (m)	4	6	8	10	12
Point load in (kg)	784	559.6	410	326	270
distrib.load in (kg/m)	485	284	150	87	45

12x12inch Bolt-type Plate Truss, Main tube: $\varnothing 50 \times 3 \text{mm}$, Vice Tube: $\varnothing 50 \times 2 \text{mm}$, Brace tube: $25 \times 3 \text{mm}$
Materials: 6061-T6/6082-T6, it can be stretched to 40ft with max load 565lbs.

Model	TG-TMSQ305X2	TG-TMSQ305X3	TG-TMSQ305X4	TG-TMSQ305X5	TG-TMSQ305X8	TG-TMSQ305X10
Length (ft)	2	3	4	5	8	10

Span in foot (ft)	13.1	19.7	26.2	32.8	39.4
Point load in (lb)	1724.8	1231.1	902	717.2	594
distrib.load in (lb/ft)	1067	624.8	330	191.4	99

STANDARD FRAME PARAMETERS

CURVED / CIRCULAR TRUSS



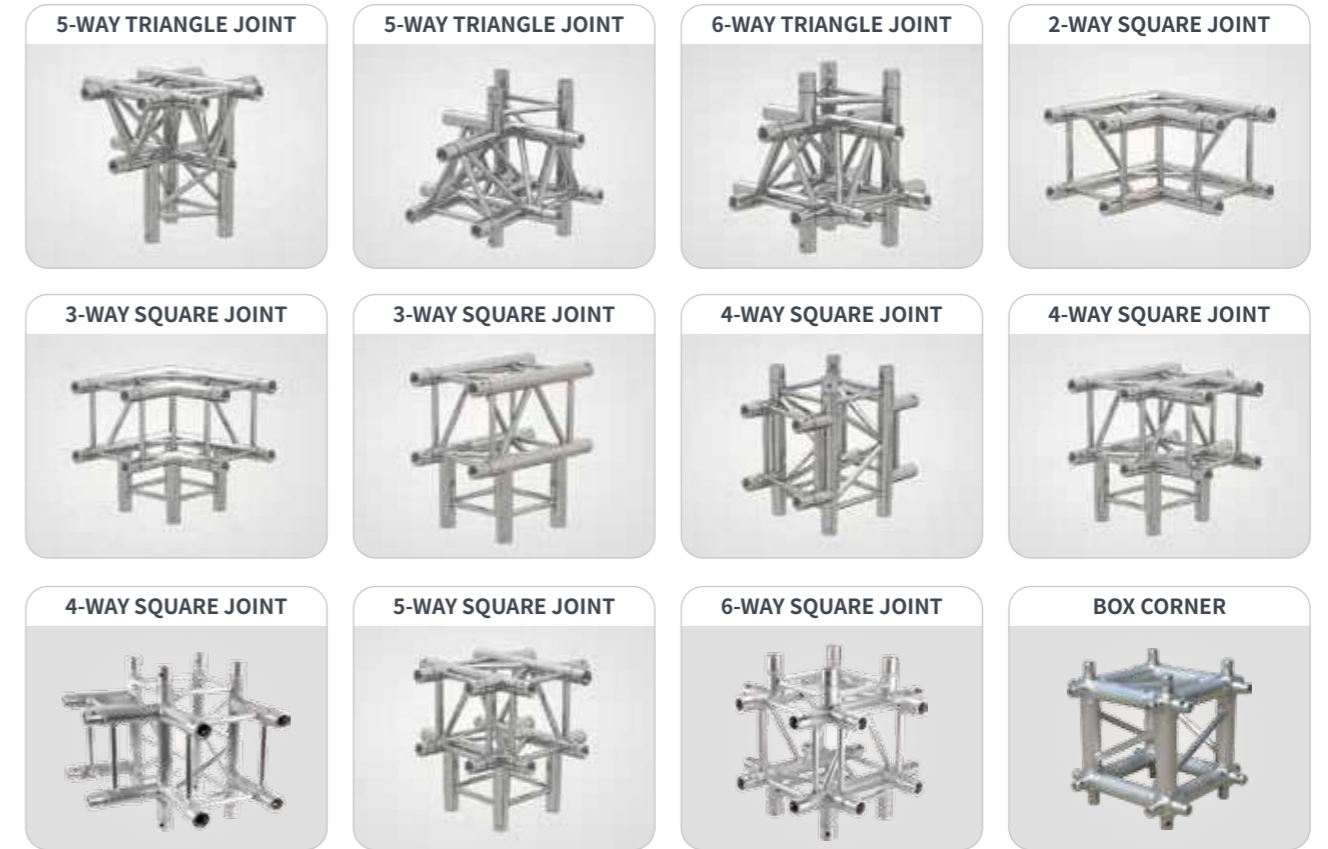
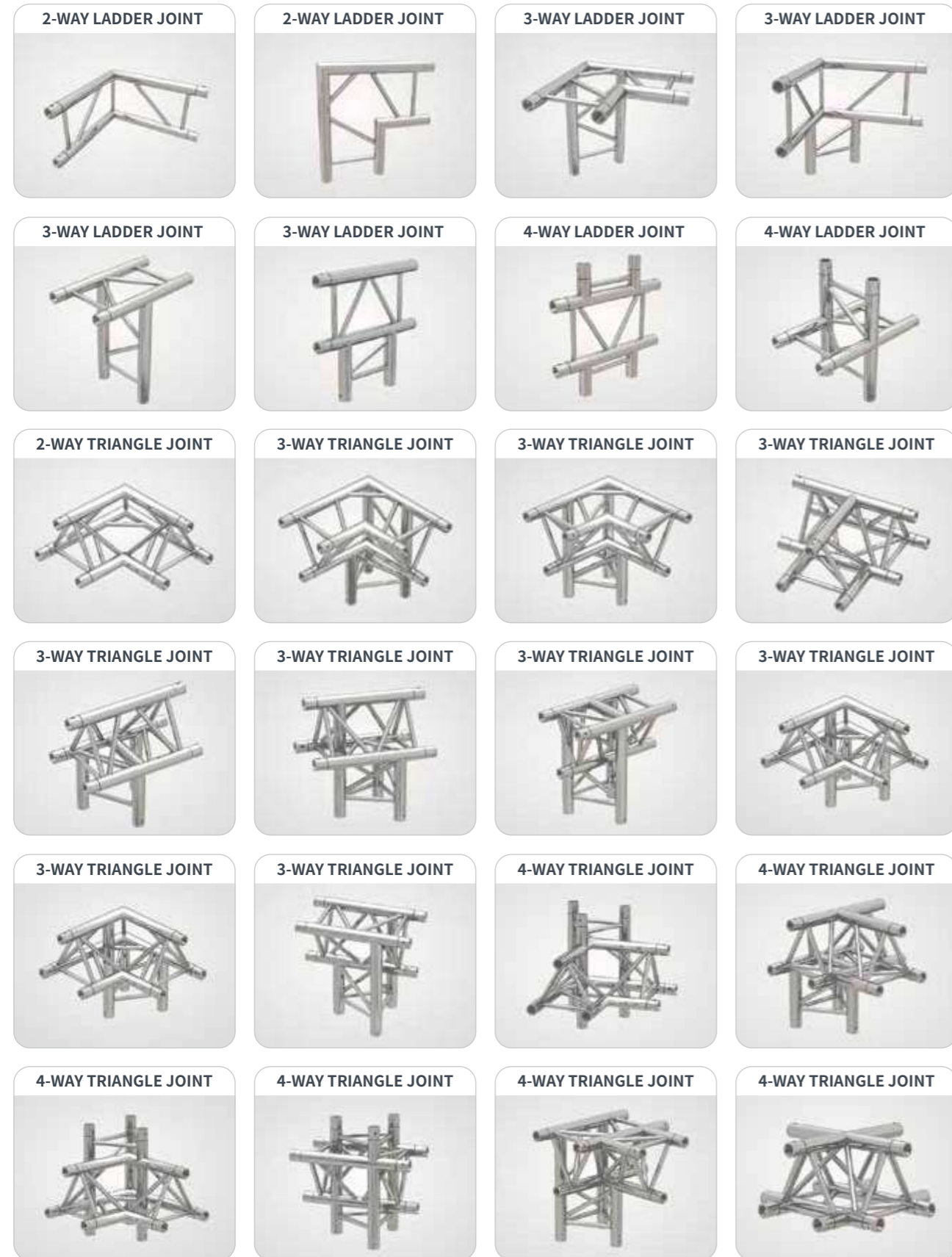
TourGo offers a broad range of circles and curved trusses from ladder to square truss series in various diameter and degrees. The number of curved parts is depending on the maximum length of each segment

The max length per segment may not exceed 5.5m. TourGo advises the purchase of an even number of parts (2, 4, 6, 8 parts) in order to obtain full flexibility and with standard length and corner elements.

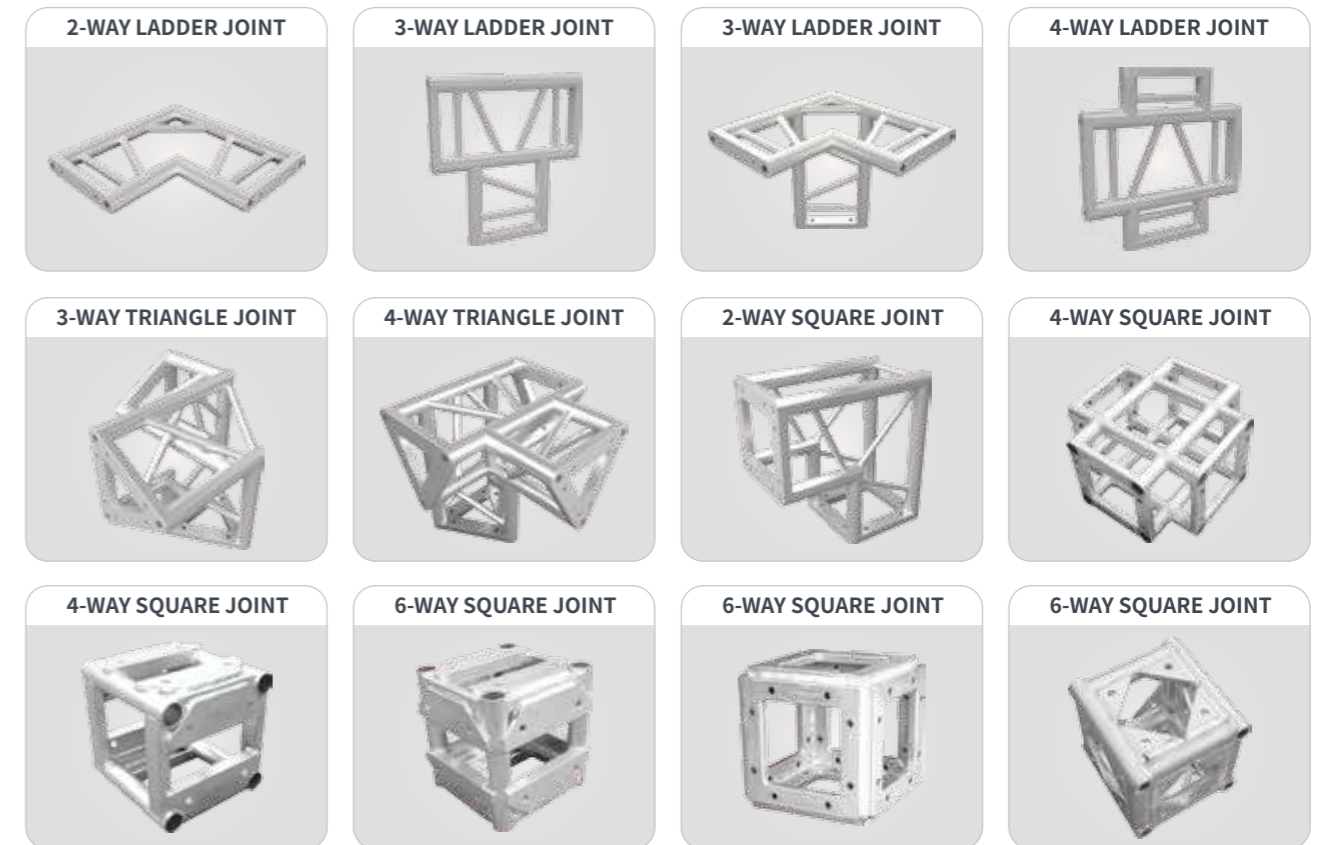


SPARE PARTS

BOLT-TYPE PLATE TRUSS



























BOLT-TYPE TRUSS CORNER















SPARE PARTS

TRUSS CLAMP

TG-2001  18-21mm 10KG	TG-2001C  18-21mm 10KG	TG-2002  18-21mm 10KG	TG-3501  32-35mm 75KG
TG-3501D  32-35mm 75KG	TG-3502  32-35mm 75KG	TG-5303  32-35mm 75KG	TG-3507  32-35mm 200KG
TG-3507E  32-35mm 200KG	TG-3534  32-35mm 75KG	TG-5001  48-51mm 100KG	TG-5001B  48-51mm 100KG
TG-5001IN  48-51mm 100KG	TG-5002  48-51mm 100KG	TG-5002E  48-51mm 100KG	TG-5003  48-51mm 200KG
TG-5003T  48-51mm 200KG	TG-5004  48-51mm 200KG	TG-5004B  48-51mm 500KG	TG-5005  48-51mm 250KG
TG-5006B  48-51mm 500KG	TG-5006U  48-51mm 500KG	TG-5007B  48-51mm 500KG	TG-5008  48-51mm 250KG


TG-5009  48-51mm 300KG	TG-5010  48-51mm 500KG	TG-5011A  48-51mm 100KG	TG-5012  48-51mm 200KG
TG-5019  25-50mm 15KG	TG-5028  35-51mm 40KG	TG-5031  35-51mm 60KG	TG-5034  48-51mm 200KG
TG-CLM16  20-30mm 15KG	TG-CLM20  48-51mm 20KG	TG-CLM55  35-51mm 40KG	TG-5030S  48-51mm 500KG

TRUSS ACCESSORIES


SPACER 	SAFETY STEEL ROPE 	LIFTING HOOK 	HANGING TRUSS ADAPTER 
TRUSS CORNER JUNCTION 	DOUBLE ALUMINUM BASEMENT 	ALUMINUM BASE PLATE 	STEEL BASE PLATE 
LIGHT FASTENER 	SPEAKER ARM MOUNTS 	BOOM ARM 	STABILISER BRACE 


SPARE PARTS

CRANK STAND


TG-HLT7	
	
Max Height	7M
Mini Height	2.1M
Legs Spread	2.1M
Legs Folding	46CM x 46CM
Cross Bar	50CM
Clamp	42-52CM
Net Weight	105KG
Load-bearing	260KG


TG-HLT6	
	
Max Height	6M
Mini Height	2.06M
Legs Spread	2.1M
Legs Folding	46CM x 46CM
Cross Bar	50CM
Clamp	42-52CM
Net Weight	75KG
Load-bearing	210KG

TG-HST6	
	
Max Height	6M
Mini Height	2M
Legs Spread	2.2M
Legs Folding	46CM x 46CM
Cross Bar	50CM
Net Weight	110KG
Load-bearing	250KG

TG-LTM1	
	
Max Height	4M
Mini Height	1.86M
Legs Spread	2.1M x 2.1M
Legs Folding	45CM x 45CM
Cross Bar	2M
Net Weight	30KG
Load-bearing	100KG


TG-LTM3	
	
Max Height	4M
Mini Height	1.86M
Cross Bar	2M
Net Weight	27KG
Load-bearing	100KG

TG-LTM4	
	
Max Height	4M
Mini Height	1.86M
Cross Bar	2M
Net Weight	24KG
Load-bearing	80KG

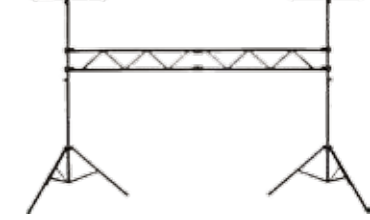
TG-LLT1	
	
Max Height	3M
Mini Height	1.46M
Cross Bar	1.5M
Net Weight	18KG
Load-bearing	50KG

TG-LLT2	
	
Max Height	3M
Mini Height	1.6M
Cross Bar	1.2M
Net Weight	7KG
Load-bearing	50KG

TG-LLT3	
	
Max Height	3.6M
Mini Height	1.6M
Cross Bar	1.2M
Net Weight	9KG
Load-bearing	60KG

TG-LTM5	
	
Max Height	4M
Mini Height	1.86M
Cross Bar	4M
Net Weight	24KG
Load-bearing	80KG

TG-LLT4	
	
Max Height	3M
Mini Height	1.6M
Cross Bar	3M
Net Weight	15KG
Load-bearing	40KG

TG-LLT5	
	
Max Height	3M
Mini Height	1.6M
Cross Bar	3M
Net Weight	23KG
Load-bearing	100KG

LIFTING TOWER



Model	TG-LSA54	TG-LSA65	TG-LSA80
Load Capacity	Maxi 400kg	Maxi 350kg	Maxi 300kg
Max Height	5.4m	6.5m	8.0m
Mini Height	2.05m	2.05m	2.05m
The Whole Body Diameter	3.15m	3.15m	3.15m
Self Weight	195kg	225kg	225kg
Load Capacity of Hand Winch	1588kg	1588kg	1588kg

FEAUTURE:

- Construction material: Main body in extruded aluminium
- 6082-T6 profile. Base and legs are made of steel profile
- according to DIN2394. Catches and safety rack of ST-37 steel.
- Winch: 900/1000kg of maximum load with automatic brake to stop the load.
- Cable: Ø6mm steel DIN 3060. Quality 180kg/mm² twist resistant.
- Exclusive ALS system (Auto-Lock security).
- Adjustable stabilizing feet with rubber non-slip supports.
- Safety catches to anchor the legs.
- Spirit level to adjust the tower vertically
- Base, legs, supports, forks are finished in satin polyester.
- Swivel wheels to transport the lift when folded.



LED WALL GROUND STACKING

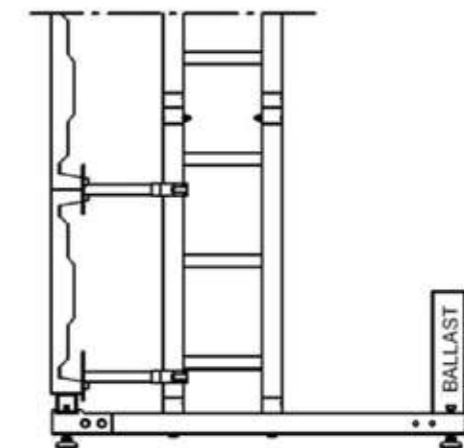


TourGo offers with the LSU series a universal solution for the construction of LED walls from different manufacturers. The combination of ground-stack base unit, connecting struts and ladder trusses forms the basis for stable wall support. The simple system makes it possible to construct different variants with the same material.

The system can be flexibly changed within the width and maximum height of 6m, so that different solutions can be created with the same material. From a height of 4m, however, an additional backup by further struts is necessary. The LED modules must have a size of 50x50cm or 60x60cm and connect to each other.

BALLAST LOADING

Height(m)	Overturning moment(kNm)	Ballast(kg)
2.0	0.25	17
2.5	0.39	38
3.0	0.56	64
3.5	0.77	95
4.0	1.00	131
4.5	1.13	151
5.0	1.28	173
5.5	1.45	198
6.0	1.63	226



COMPONENTS



Connection Bar



Connection Clamp



Adjustable Basement



Flat truss

ELECTRIC HOIST



Stage loop chain electric hoist is with G80 alloy steel material, 3 times the safety factor, compact and lightweight, effectively increase the upper and lower operations to enhance the trip.

The Stage Electronic hoist are designed specifically for use in the live entertainment industry, our high-quality chain hoists are the perfect solution for all kinds of stage rigging requirements.



- Load capacity: 500kg, 1000kg, 2000kg
- Lifting speed: 3.6M/min, 4.2M/min, 6.2M/min
- Hoist speed: Take 26M or 85 inches as standard height
- Generality: suitable for 230-460V, 3 phase power.
- Light self weight: stretch steel outer skin
- Using effect: the five-hole hoist chain wheel ensures the balance when lifting
- Reliability: equip with overload protection clutch
- Safety: lifelong maintenance, related accessories & technical support.

Capacity(T)	Lift (m)	Hoisting Speed (m/min)	Hoisting Motor 3-Phase			Load Chain		Test Load(T)	Dimensions (mm)	Weight (kg)
			Output (kw)	Ins.Class	%ED	Dia.(mm)	Nos.of			
0.5	25	6.2	0.42	F	40	6	1	0.75	310 x 235 x 255	45
1.0		4.2	1.5			7.1		1.5		60
2.0		3.6	1.5			8		3		70



8ch controller

- 1.Can be changed to a 16 channel by parralleling two 8ch controller
- 2.The flight case is suitable for mobile shows
- 3.The single way phase-change switch convenient to use



Sling special for stage

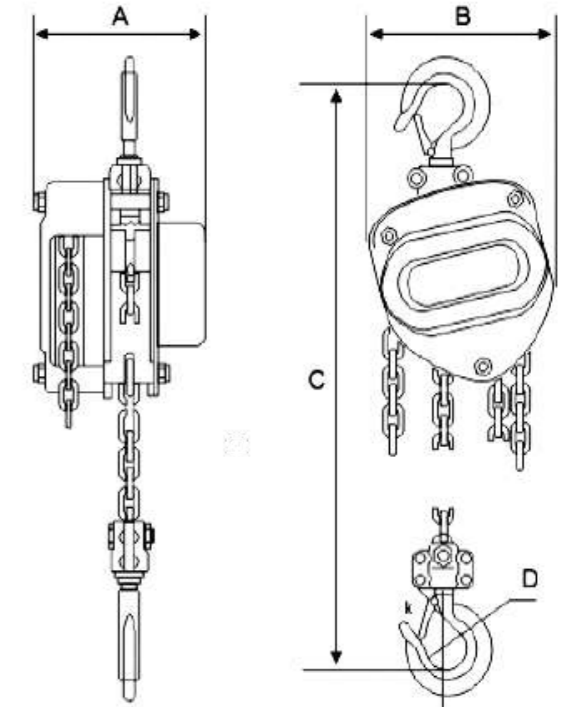
- 1.Black sling suitable for the stage lifting
- 2.Light weight, small tension
- 3.Soft and flexible with heavy loads
- 4.Moisture-proof , wear-proof and long life



Flight case for the motor hoist

- 1.Designed for 1pcs motor hoist
- 2.Specialized internal partition for easy setting

MANUAL HOIST



- Standard Load Limiter automatic overload protection.
- The cover has been redesigned to protect the gear case and the extended edge of the cover can improve the abrasion resistance of the cover.
- Adopting the deep groove ball bearing of load chain sprocket , pulling is smaller.
- Rugged steel load bars connected directly to hoist frame.
- Light weight and easy handing.
- High efficiency and small hand pulling.

Model	HSZ-0.5	HSZ-1	HSZ-1.5	HSZ-2	HSZ-3	HSZ-5	HSZ-10
Capacity(T)	0.5	1	1.5	2	3	5	10
Lift Height (M)	2.5	2.5	2.5	2.5	3	3	3
Testing Load(T)	0.75	1.5	2.25	3	4.5	7.5	12.5
Full Load Chain Tension(N)	231	309	320	360	380	414	414
Load chain falls	1	1	1	2	2	2	4
Chain Dia (mm)	6	6	8	8	8	10	10
Chain Material	G80	G80	G80	G80	G80	G80	G80
Size(mm)	A	131	140	161	161	161	207
	B	127	158	187	187	210	398
	C	207	317	399	414	460	798
	D	30	34	38	41	48	64
Net weight(kg)	11.25	11.5	17.4	22.2	26.2	37.7	72
Packing Size(cm)	30x25x17	30x25x19	33x30x22	33x30x20	40x30x24	50x33x25	60x50x27

CROWD BARRIER



The Crowd Barrier is a lightweight crowd control system made of aluminium. The aluminium barriers have a self-weight of only 28 kg per 1 m section. The smooth round top bar and the bottom bar incorporate a stainless steel 15 mm slot pin that provides easy connection points for the crowd or stage barriers. The bottom side can be secured using a hexagon socket head screw (M 12 × 150 mm). All profiles have soft, rounded edges for maximum comfort. The design load of the barrier is 4,5 kN/m1.

Materials	Aluminum 6061-T6
Thickness	2.5mm
Standard Size	1.25m(L) X 1.00m(W) X 1.20m(H)
Folding Size	1.25m(L) X 1.00m(W) X 0.12m(H)
Weight	28kg



Access Void Barrier with No Security Platform



Corner (45°/135°) Barrier with Adjustable Angle



Gate Barrier with Lockable Gate

TV STAND



TG-2TV2M
Height:2000mm
Base plate:800x800mm



TG-3TV2M
Height:2000mm
Base plate:800x800mm



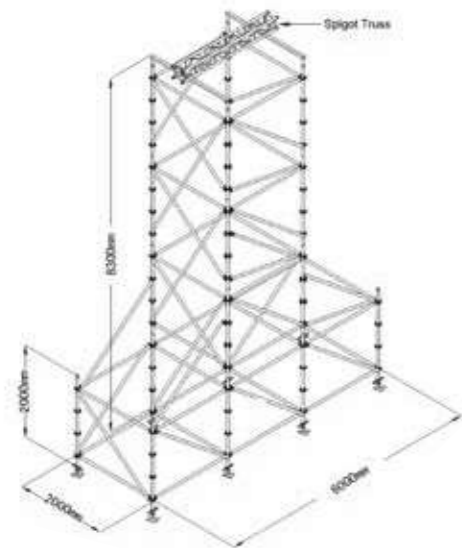
TG-TV2M
Height:2000mm
Base plate:800x800mm
Top plate:305x305mm



TG-TV2MT
Height:2000mm
Base plate:850x600mm
Tray:400x300mm

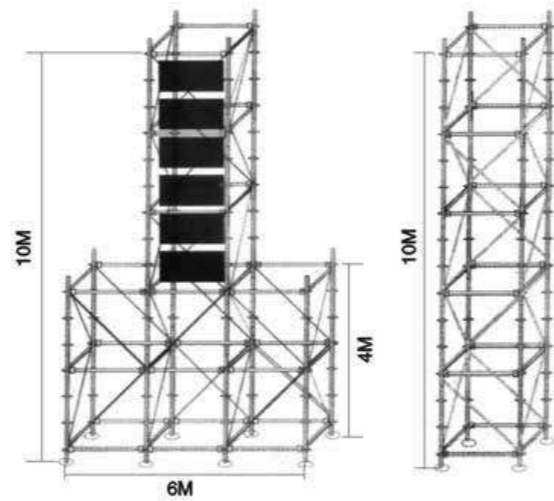
LAYER TRUSS

TG-LT8M



2x6x8m Layer Truss for Line Array Speaker Max Loading 1000kg

TG-LT10M



4x6x10m Layer Truss for Line Array Speaker Max Loading 1500kg

Layer truss is also called combined truss and consists of the horizontal pole, the vertical pole, the diagonal pipe and the adjustable base. It's very convenient and flexible to assemble. It is widely used for hanging audio device, face lights, side lights and huge advertisement.

Model	Specification(mm)	Weight(kg)
Support Pipe	M28 x 250/M38 x 400	2.8/2.2
Pillar	Ø48 x 2000 x 3.0	9.8
Horizontal unit tube	Ø48 x 1172/1782/2000 x 2.5	4.5/6.2/6.8
Support tube	Ø42 x 1887/2295/2462 x 2.0	5.6/6.3/6.7

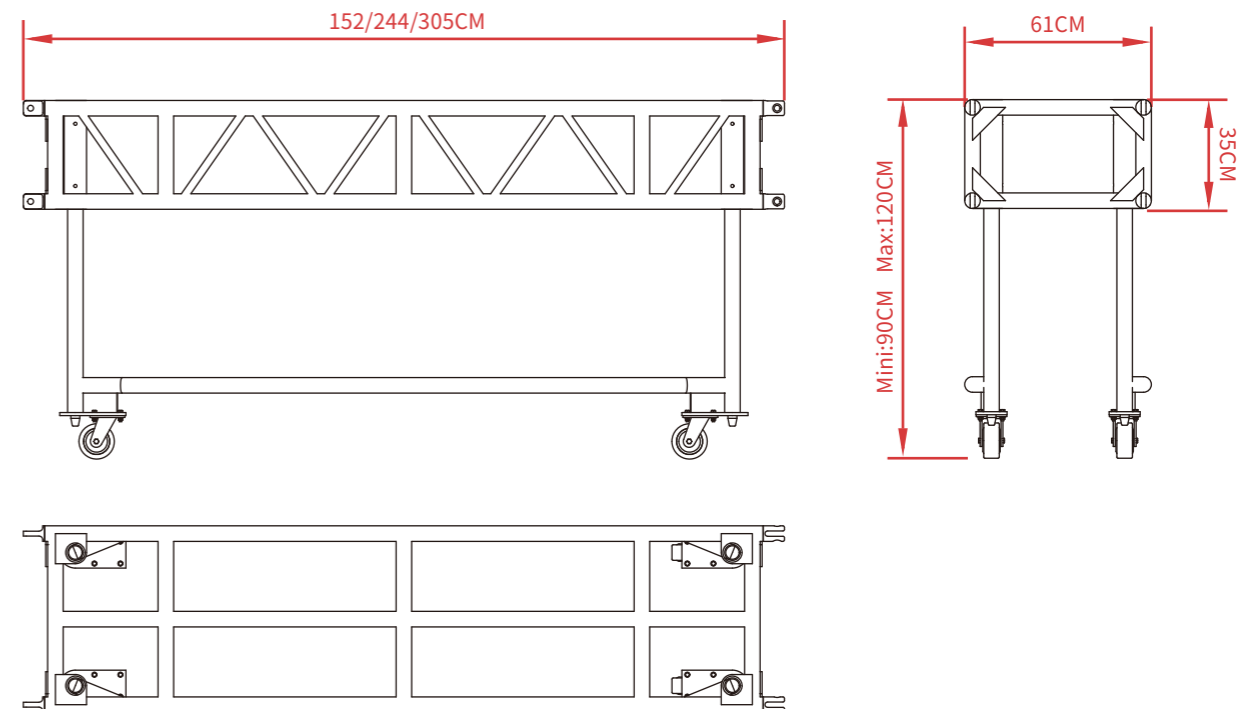


PRE RIG TRUSS



PRT Truss is a versatile truss structure to carry moving heads permanently. No more flight cases and truss separate in your storage nor in your truck. It saves not only space but also guarantees less set up time and saves labor cost. It is the ultimate stackable space and cost saver for touring.

Model No	Length	Side Height	Width	Whole Height Adjustable	Packing Size (m)	Weight(kg)
TG-PRT05	5ft /1.52M	14inch /35.56cm	24inch / 60.96cm	90CM~120cm	1.55 X 0.93 X 0.61	75
TG-PRT08	8ft /2.44M	14inch /35.56cm	24inch / 60.96cm	90CM~120cm	2.5 X 0.93 X 0.61	95
TG-PRT10	10ft /3.05M	14inch /35.56cm	24inch / 60.96cm	90CM~120cm	3.05 X 0.93 X 0.61	105



U FRAME



The TourGo Truss U-Torm is a flexible solution to hanging drop positions for lighting, projection and other equipment in a completely modular format. Comprised of lightweight modules and sections, the U-Torm allows endless configurations for single fixtures, double hangs or ladders of multiple fixtures and fixture types. U-Torms can also be expanded to create a wall of hanging positions.



U-TORM 50

Dimensions: Width x Depth x Height:
Outer Dimension
60 x 5 x 76 cm / 23.6 x 2 x 29.9 inches
Inner Dimension
50 x 5 x 65 cm / 19.7 x 2 x 25.6 inches
Weight: 8.1 lbs / 3.7kg
Center point loading: 110lbs / 50kg

U-TOP 50

Dimensions with eyebolt:Width x Depth x Height:
60 x 5 x 11 cm / 23.6 x 2 x 4.3 inches
Weight: 4 lbs / 2 kg
Center point loading: 110lbs / 50kg
Maximum hung U-Torm 50 units: 10

U-TORM 100

Dimensions: Width x Depth x Height:
Outer Dimension
110 x 5 x 125 cm / 43.3 x 2 x 49.2 inches
Inner Dimension
100 x 5 x 114 cm / 39.4 x 2 x 44.9 inches
Weight: 12.6 lbs / 5.71kg
Center point loading: 220lbs / 100kg

U-TOP 100

Dimensions with eyebolt:Width x Depth x Height:
110 x 5 x 11 cm / 43.3 x 2 x 4.3 inches
Weight: 5 lbs / 2.3 kg
Center point loading: 220lbs / 100kg
Maximum hung U-Torm 100 units: 5



TRUSS TROLLEY



The Dolly kits comes in an assortment of sizes to meet your needs. The dolly can be used with a wide variety of truss sizes and can stack trusses up to 96" high. Trusses easily stack onto the dolly's sturdy aluminum construction and can be strapped together for safe transport. The 3-wheel design safely prevents the dolly from buckling or folding under the trusses when loading or unloading from a truck ramp.

Heavy duty casters extend the life of the dolly with a capacity well above the weight of the trusses. The Truss Dolly can save thousands of dollars extending the life of your truss by protecting it each time it is transported.

- Sturdy aluminum construction
- For use with 12" x 12", 16" x 16", 12" x 18", and 20.5" x 20.5" truss
- Other sizes available upon request
- Quick and easy installation
- Heavy duty casters
- Safe transportation
- Extends the life of truss under normal use



ROTATING CIRCLE TRUSS



mini rotating circle truss

Model	TG-RT112
Voltage	AC110V-220V,50/60Hz
Quantity for hanging lights	6pcs/8pcs/12pcs
Control Model	DMX512
Channel	1CH
Rotation system	Bi-directional continuous rotating
Rotation speed	4-58sec/round
Load capacity	120KG
Truss diameter	1.12m
Net weight	30KG
Size	116 x 116 x 40cm
Truss Material	6061-T6 Aluminum , pipe diameter Ø40mm, thickness: 3mm

The product is suitable for a wide range of applications, such as TV stations, bars, tour concerts, large parties, music festivals, exhibitions, business celebrations and other places.



Standard Rotating Circle Truss

This rotating truss is specifically designed for advanced entertainment occasions, it can adjust the speed as yourself. it's a ideal equipment to improve lighting and visual effects, with the advantage of light weight and easy to installation

Model	Max Loading	Working Voltage	RPM	Control Channel	Max torque	Truss Diameter	Noise
TG-RT150	400KG	220-3-50	0-5.6r/min	3	8.1N.M	1500mm	35db
TG-RT300	800KG	220-3-50 380-5-50	0-2.8r/min	3	50N.M	3000mm	35db
TG-RT480	1200KG	220-3-50 380-5-50	0-1.8r/min	3	50N.M	4800mm	35db

DJ FACADE



This DJ event facade with white scrim is made of high quality aluminum tubing in powdered coat finish, which is durable and long service life. Foldable design for quick setup and break-down our design folds for easy setup and break down.

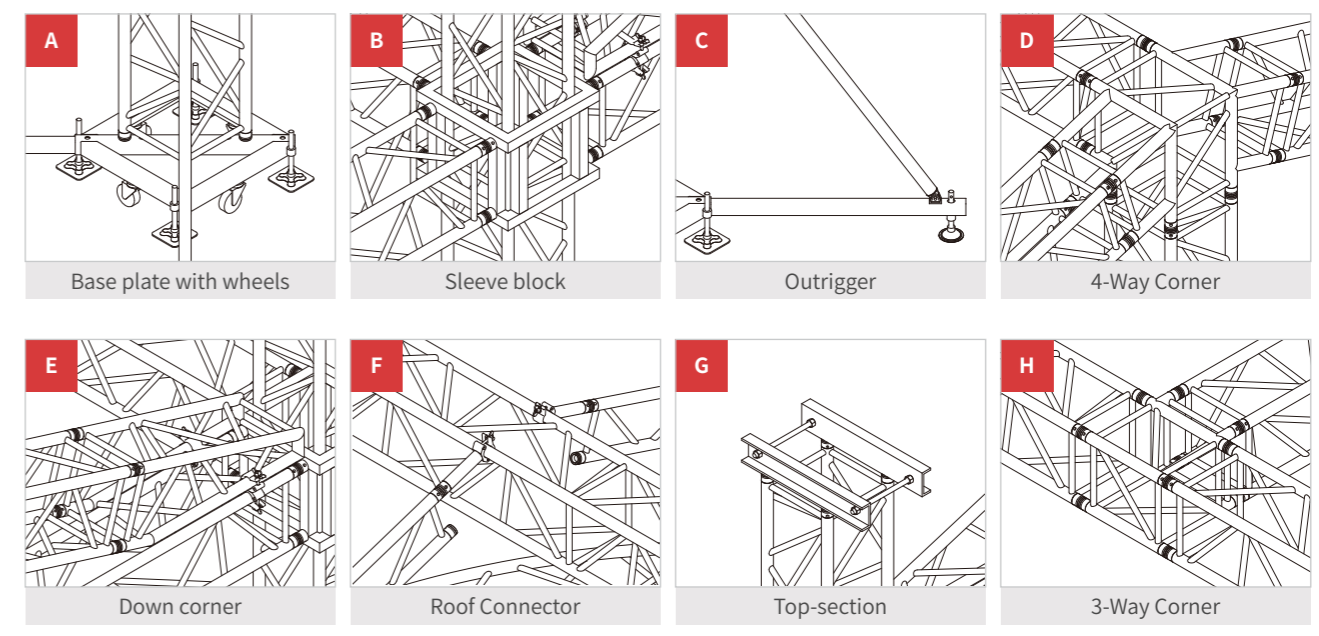
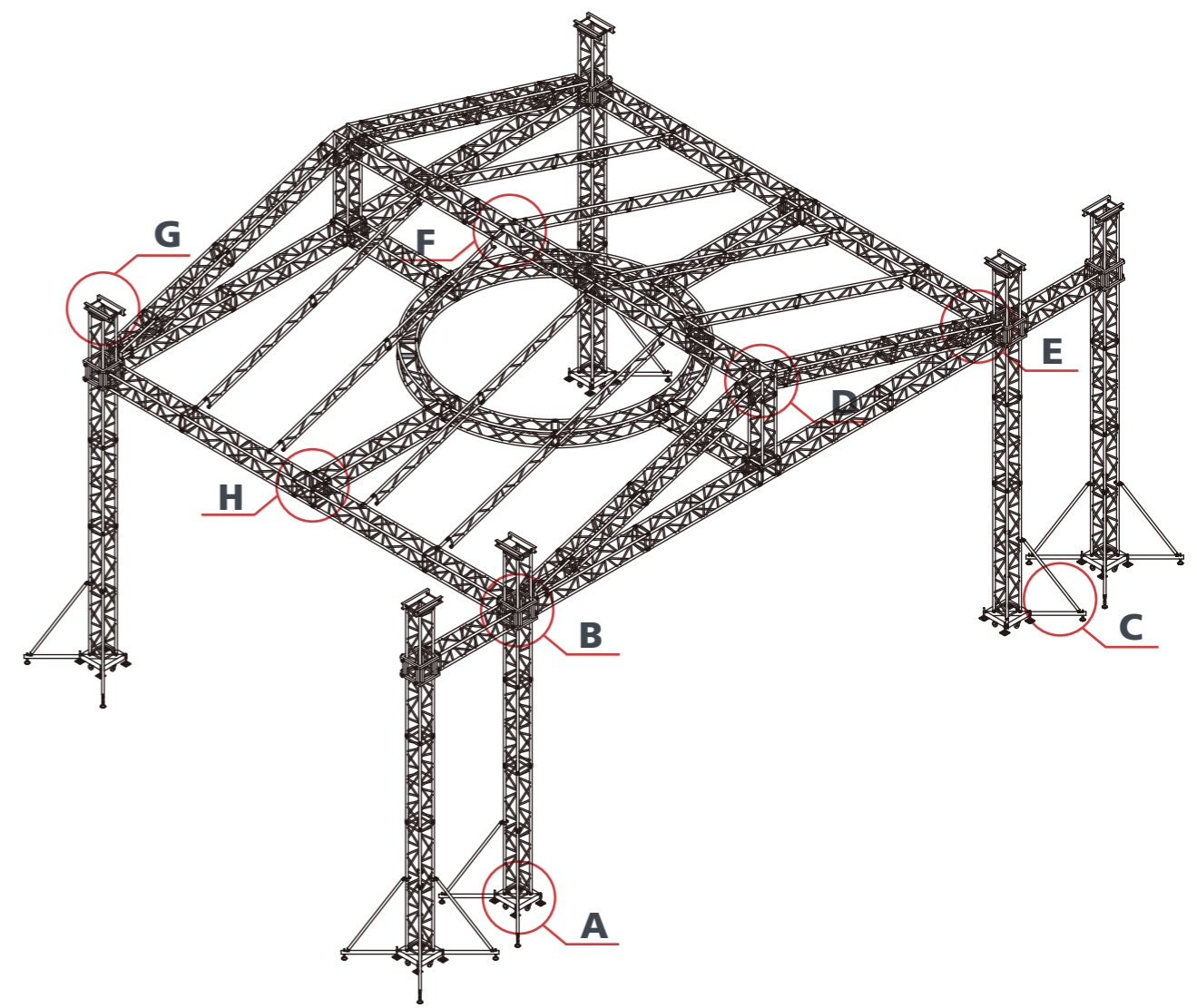
- The panels can rotate a full 360 degrees, giving you the freedom to wrap.
- The non-slip rubber feet for stability.
- Includes travel bag for easy transport.
- The material lit up is a Lycra Fabric / PURE acrylic, Black or White for option
- All of the panels are permanently attached and fold up as one unit.

Model	Complete Stand	Front Panel	Side Panel	Lit up material	Packing
TG-DF2848	110" W x 48" H	27.5" W x 48" H	27.5" W x 48" H	Lycra Fabric / acrylic	Carry bag
TG-DF4846	192" W x 46" H	48" W x 46" H	36" W x 46" H	Lycra Fabric / acrylic	Carry bag
TG-DF4731	188" W x 31" H	47" W x 31" H	47" W x 31" H	Lycra Fabric / acrylic	Carry bag
TG-DF3048	96" W x 48" H	30" W x 48" H	18" W x 48" H	Lycra Fabric / acrylic	Carry bag
TG-DF5216	128" W x 16" H	52" W x 16" H	12" W x 16" H	Lycra Fabric / acrylic	Carry bag

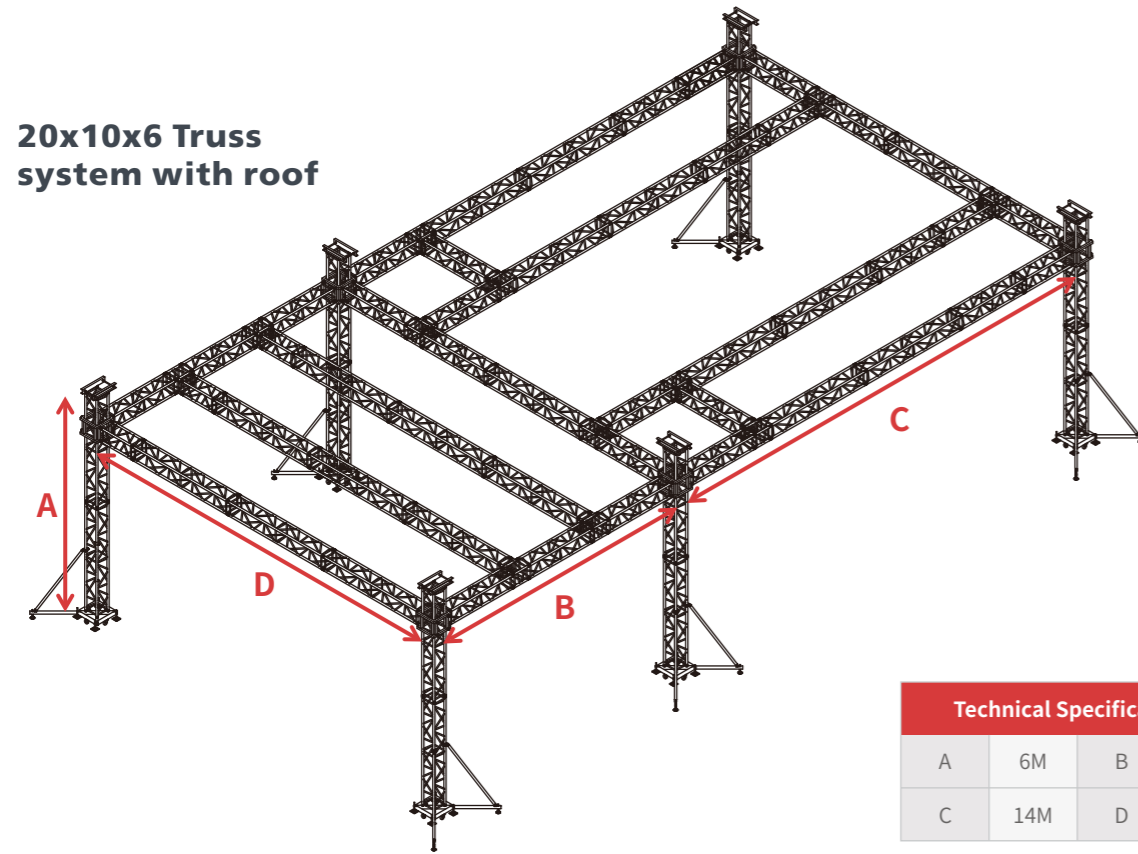




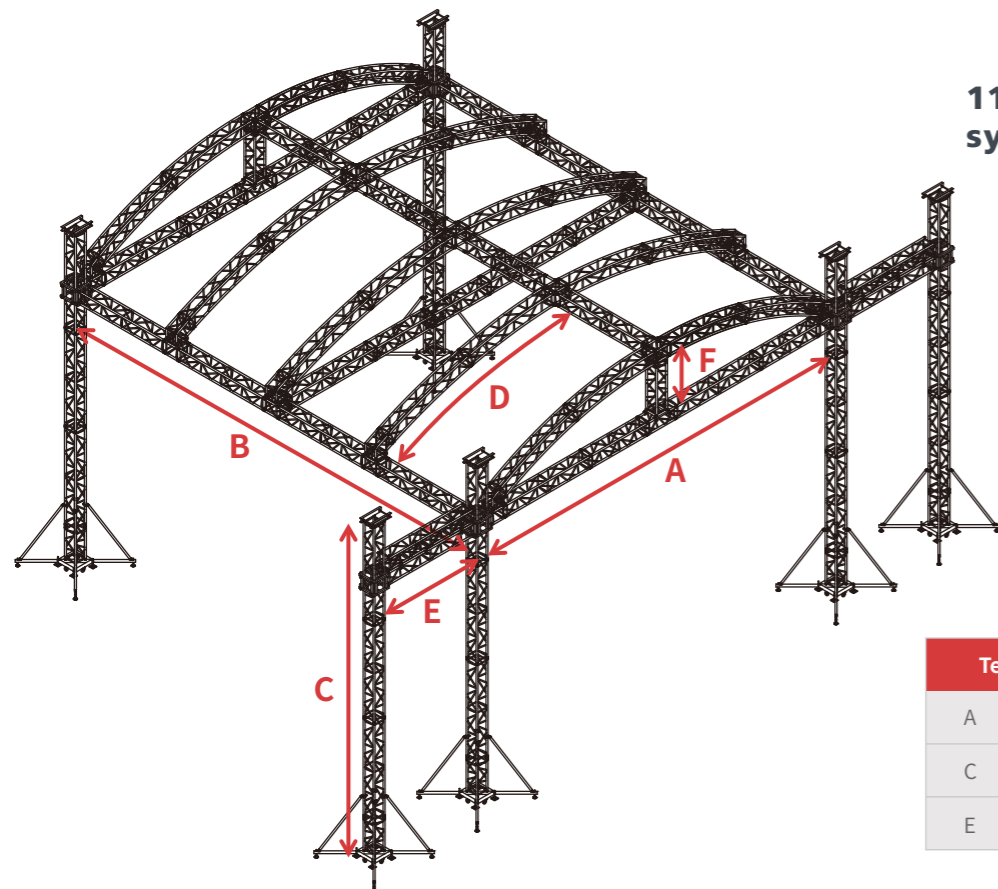
ROOF SYSTEM
SPIGOT TRUSS ROOF SYSTEM



SPIGOT TRUSS ROOF SYSTEM



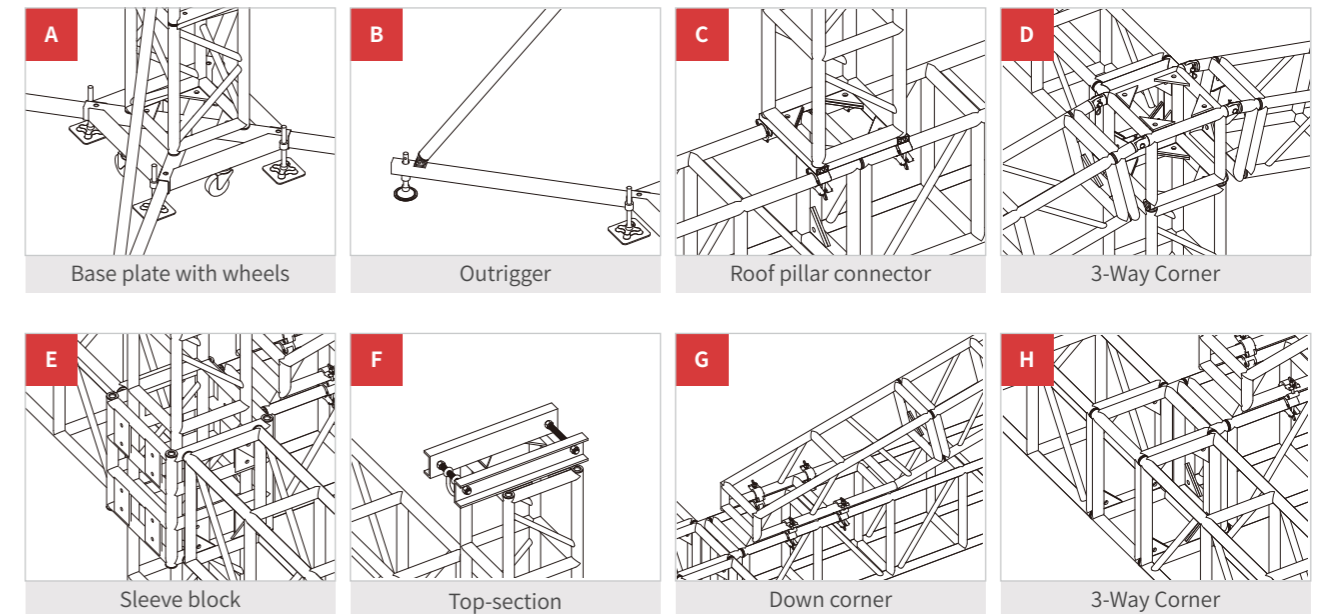
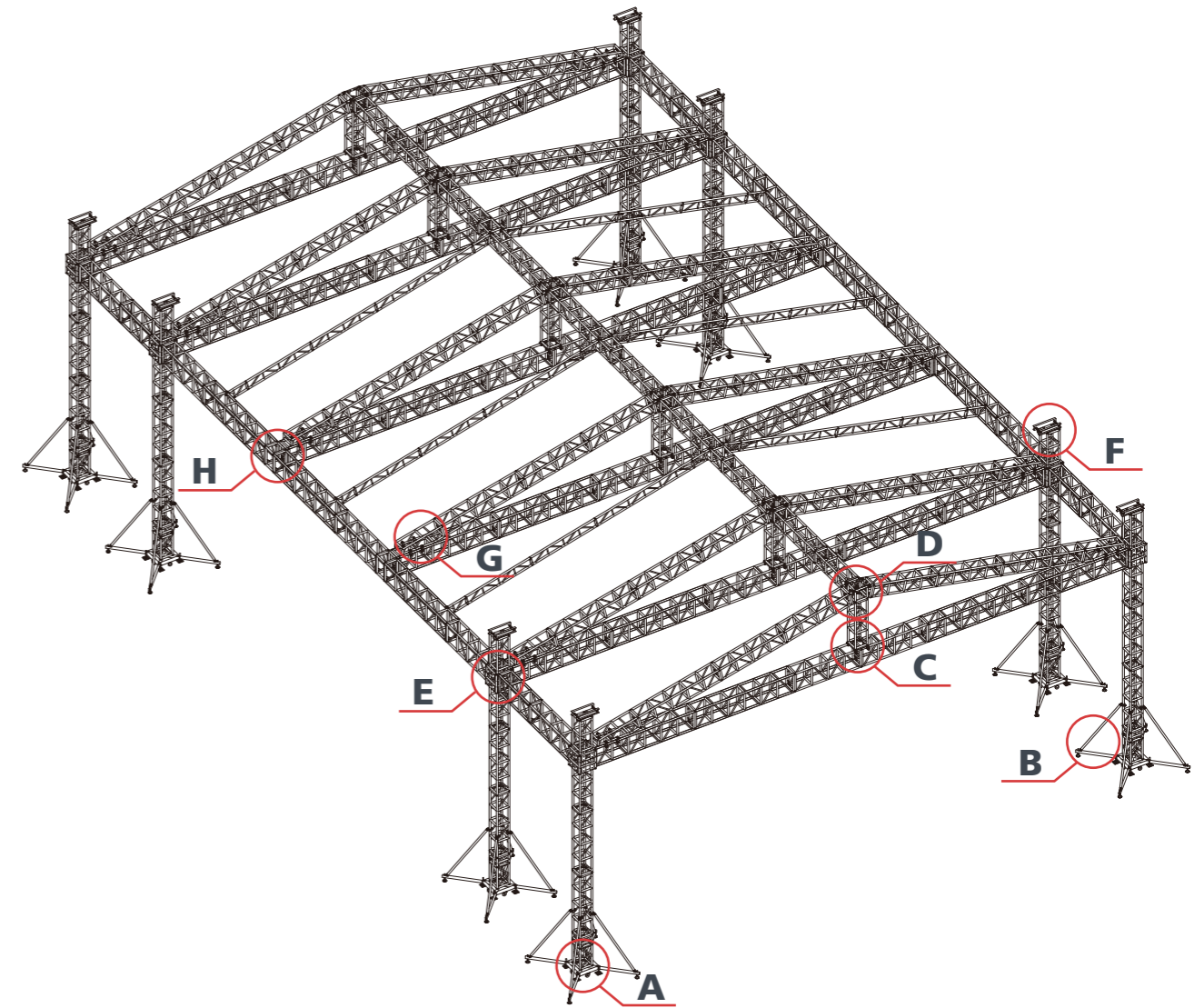
Technical Specifications			
A	6M	B	6M
C	14M	D	10M



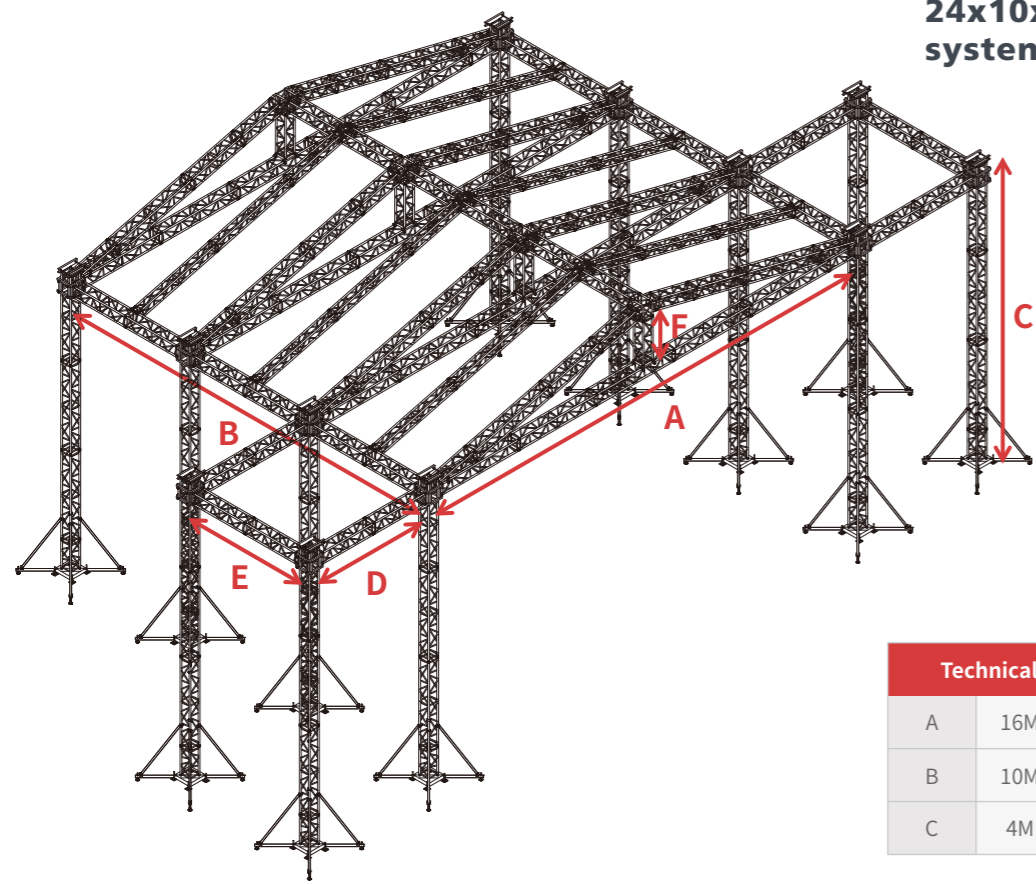
11x12x10 Truss system with roof

Technical Specifications			
A	12M	B	13.5M
C	10M	D	6M
E	3M	F	1.5M

BOLT TRUSS ROOF SYSTEM

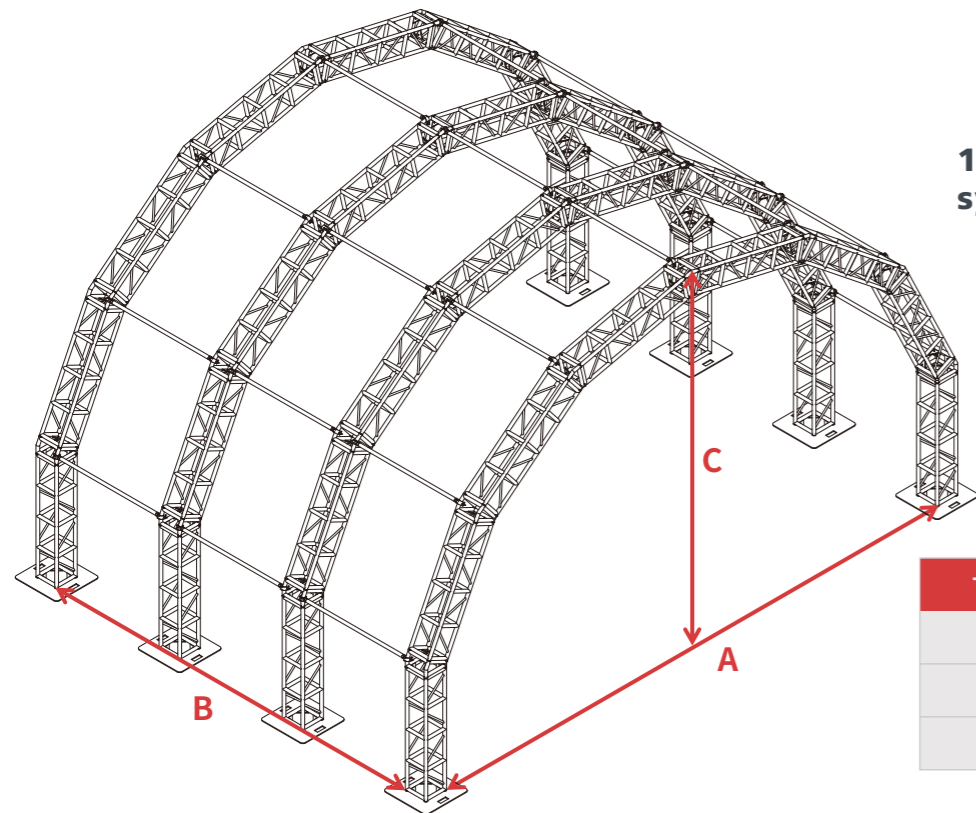


BOLT TRUSS ROOF SYSTEM



24x10x6 Truss system with roof

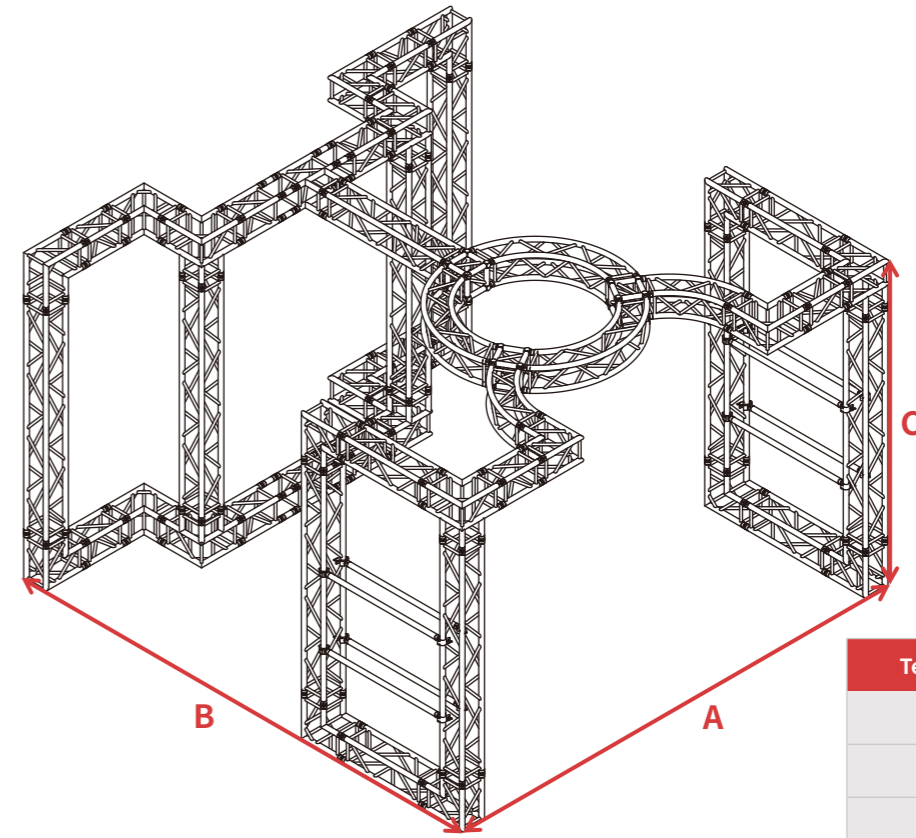
Technical Specifications			
A	16M	11M	12M
B	10M	12M	4M
C	4M	10M	1.5M



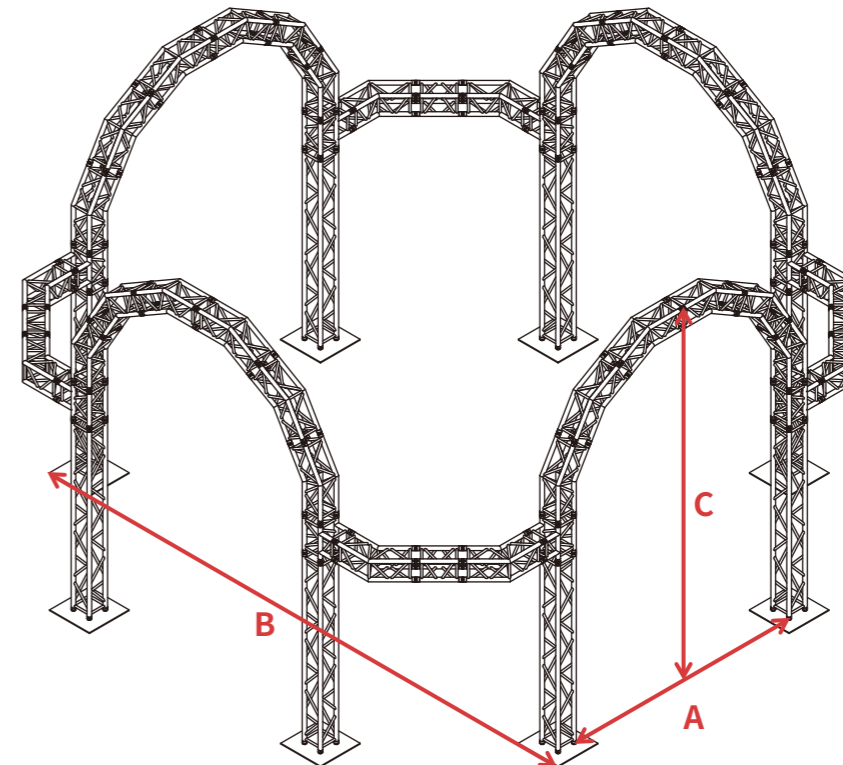
11x12x10 Truss system with roof

Technical Specifications	
A	11M
B	12M
C	10M

DISPLAY TRUSS

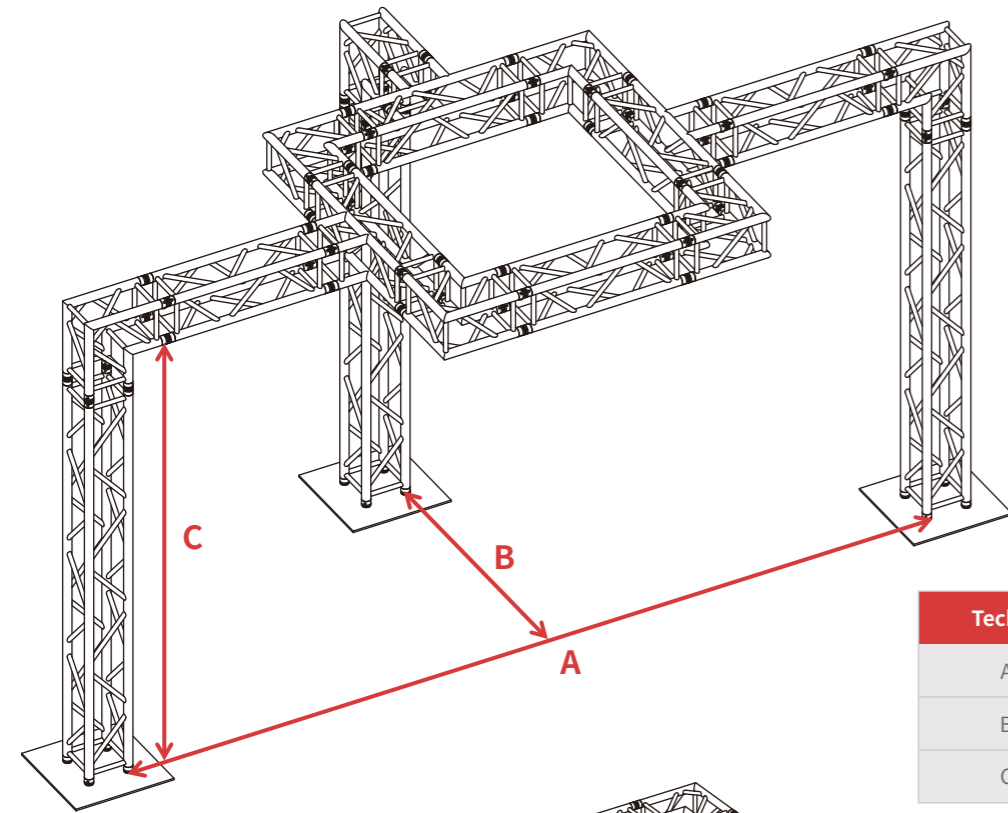


Technical Specifications	
A	6M
B	6M
C	3.5M

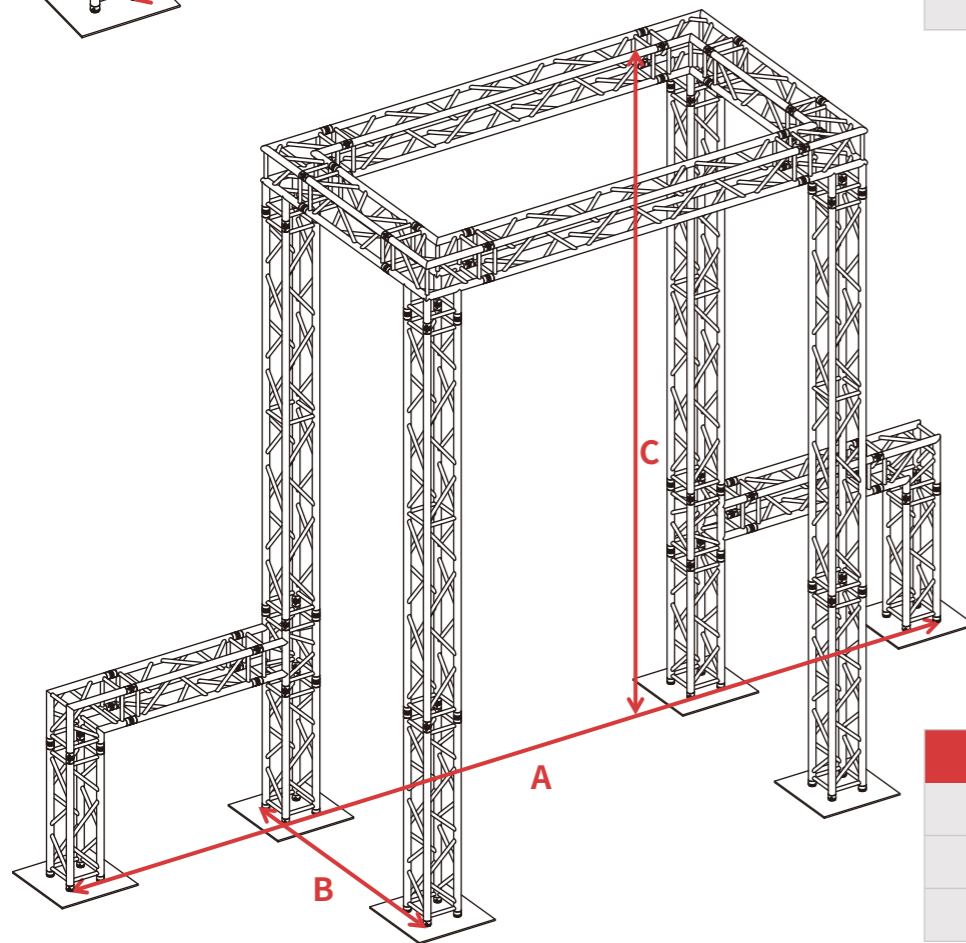


Technical Specifications	
A	3M
B	6M
C	3.5M

DISPLAY TRUSS



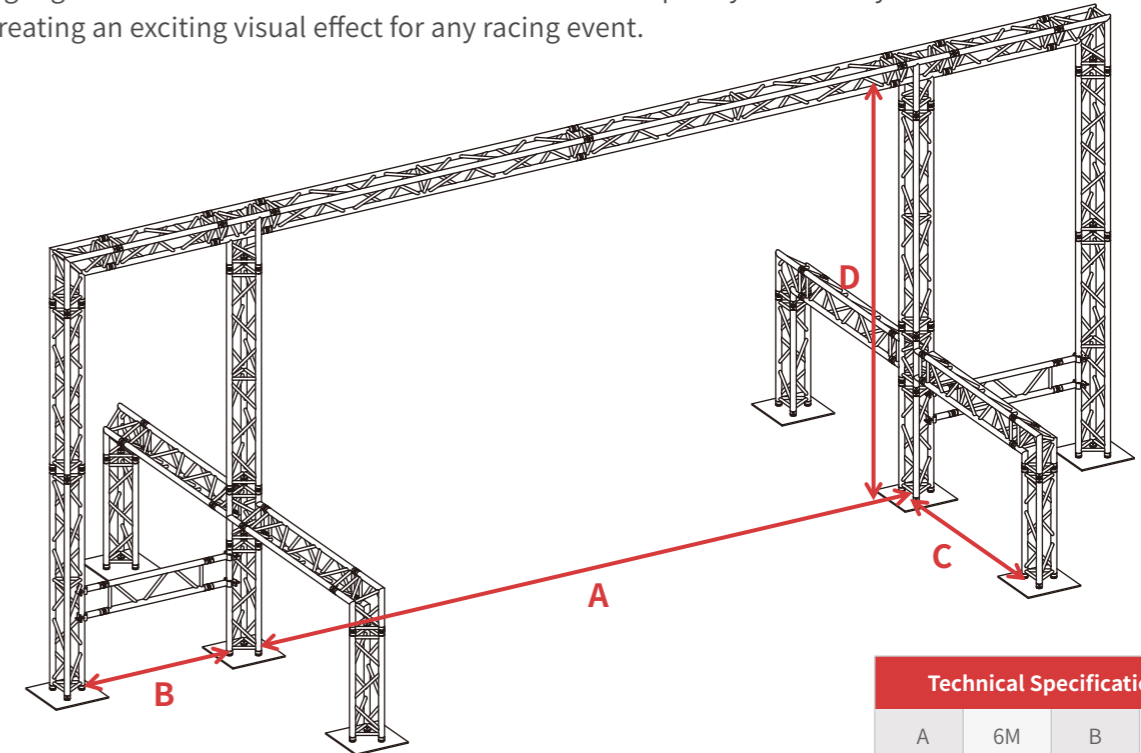
Technical Specifications	
A	6M
B	3M
C	3M



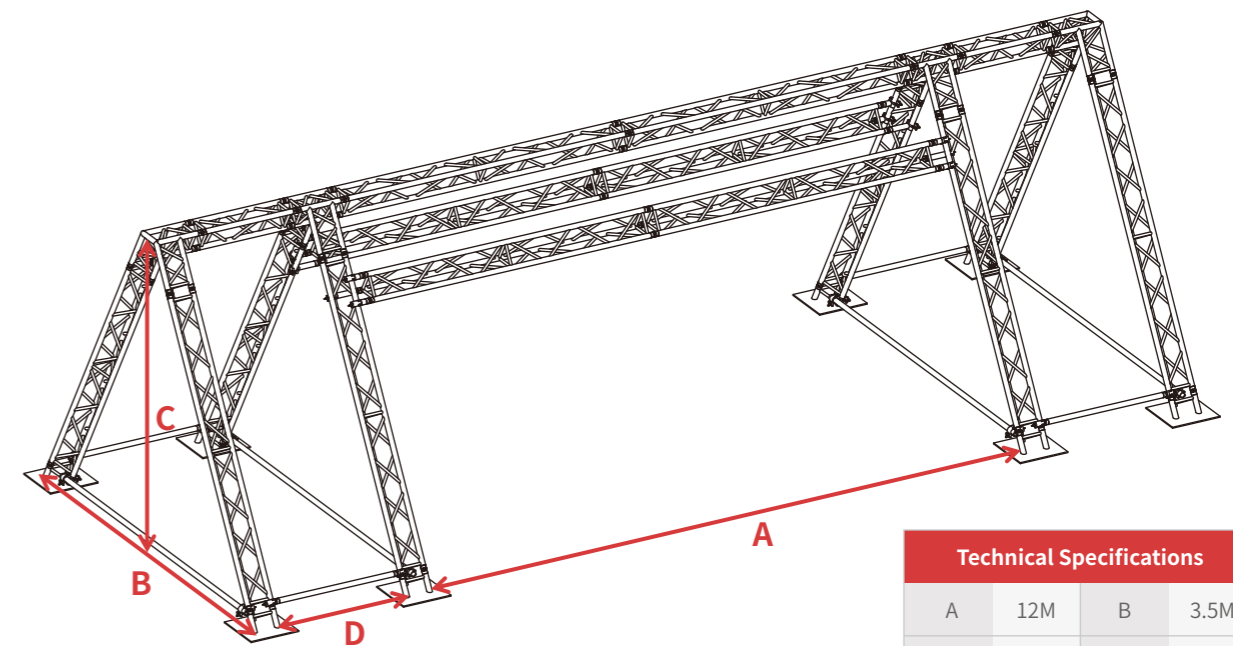
Technical Specifications	
A	6M
B	3.5M
C	5M

FINISH / START LINES

The TourGo modular truss system is simply the most versatile and convenient cost effect solution for race event start and finish lines. It offers light weight structures for both modular and custom applications to create the perfect assembly for mounting sponsor banners and signage. Our truss start and finish lines assemble quickly and easily creating an exciting visual effect for any racing event.

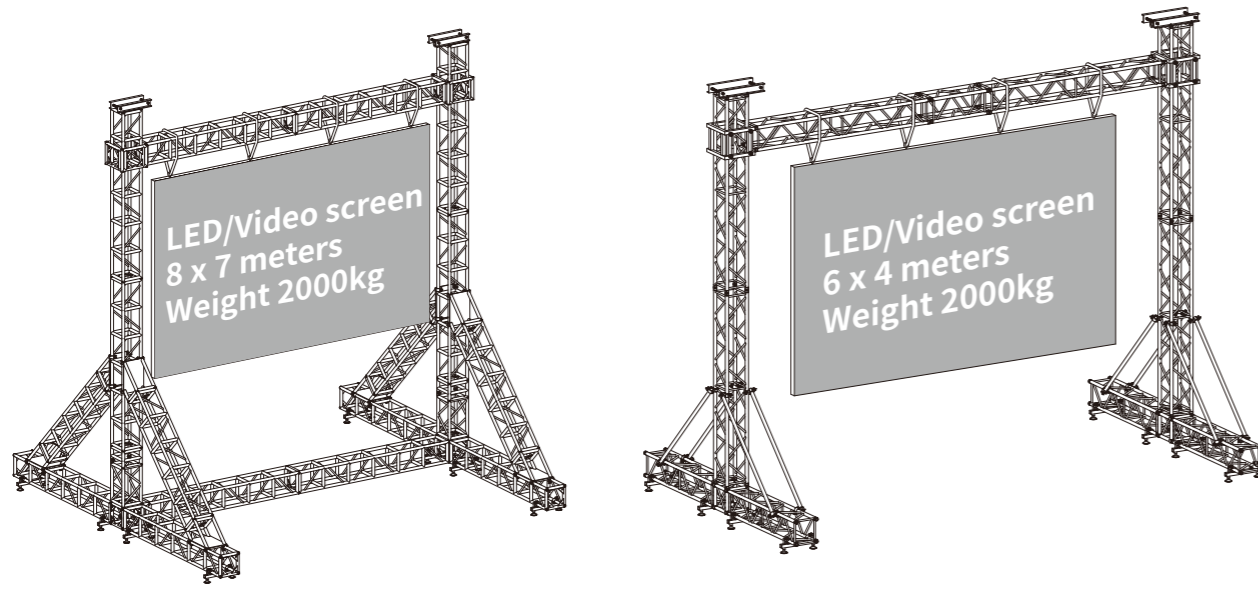


Technical Specifications			
A	6M	B	1.5M
C	2M	D	3.5M



Technical Specifications			
A	12M	B	3.5M
C	3.3M	D	1.5M

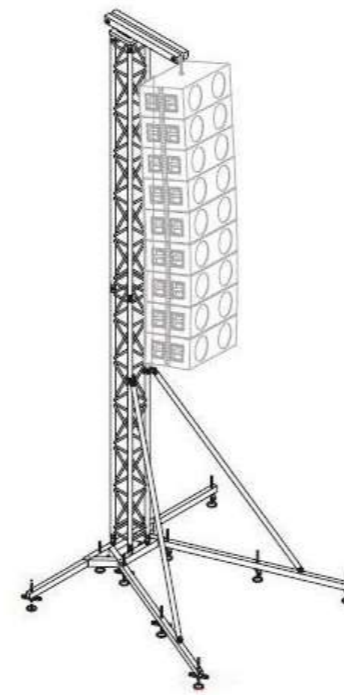
LED TRUSS



TourGo has engineered the most suitable solutions for hanging screens in an extremely efficient, cost-effective and safe manner. LED Screen gates provide high-level truss supports for flying screens at concerts and other events in general. They consist of standard towers and trusses of the TourGo range.

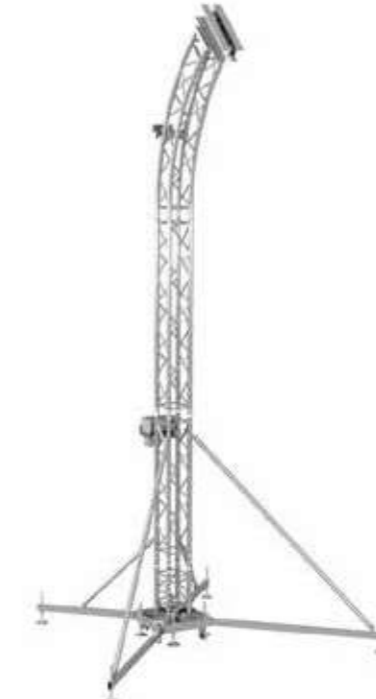


PA TOWER TRUSS



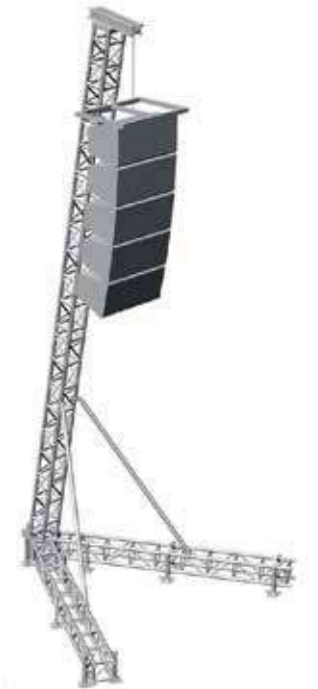
TG-ST800H7

Max. Overall height: 7.8m
 Max.lifting height: 7m
 Max.Loading capacity: 800kg
 Max windspeed: 20,7m/s
 System weight: 185kg



TG-ST1000H7

Max. Overall height: 7.8m
 Max.lifting height: 7m
 Max.Loading capacity: 1000kg
 Max windspeed: 20,7m/s
 System weight: 236kg



TG-ST1000H9

Max. Overall height: 9.5m
 Max.lifting height: 9.3m
 Max.Loading capacity: 1000kg
 Max windspeed: 20,7m/s
 System weight: 420kg



NINJA WARRIOR FRAME



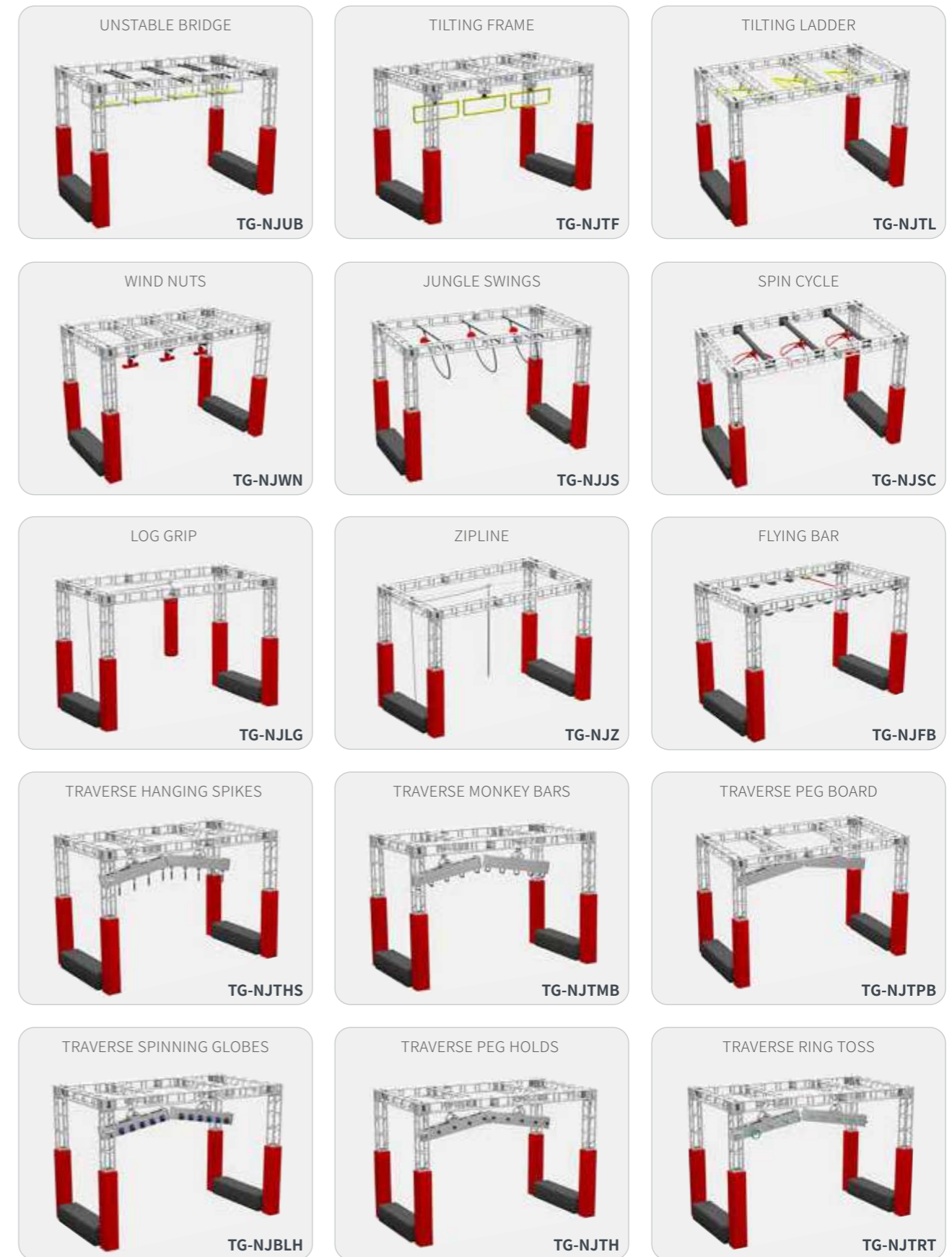
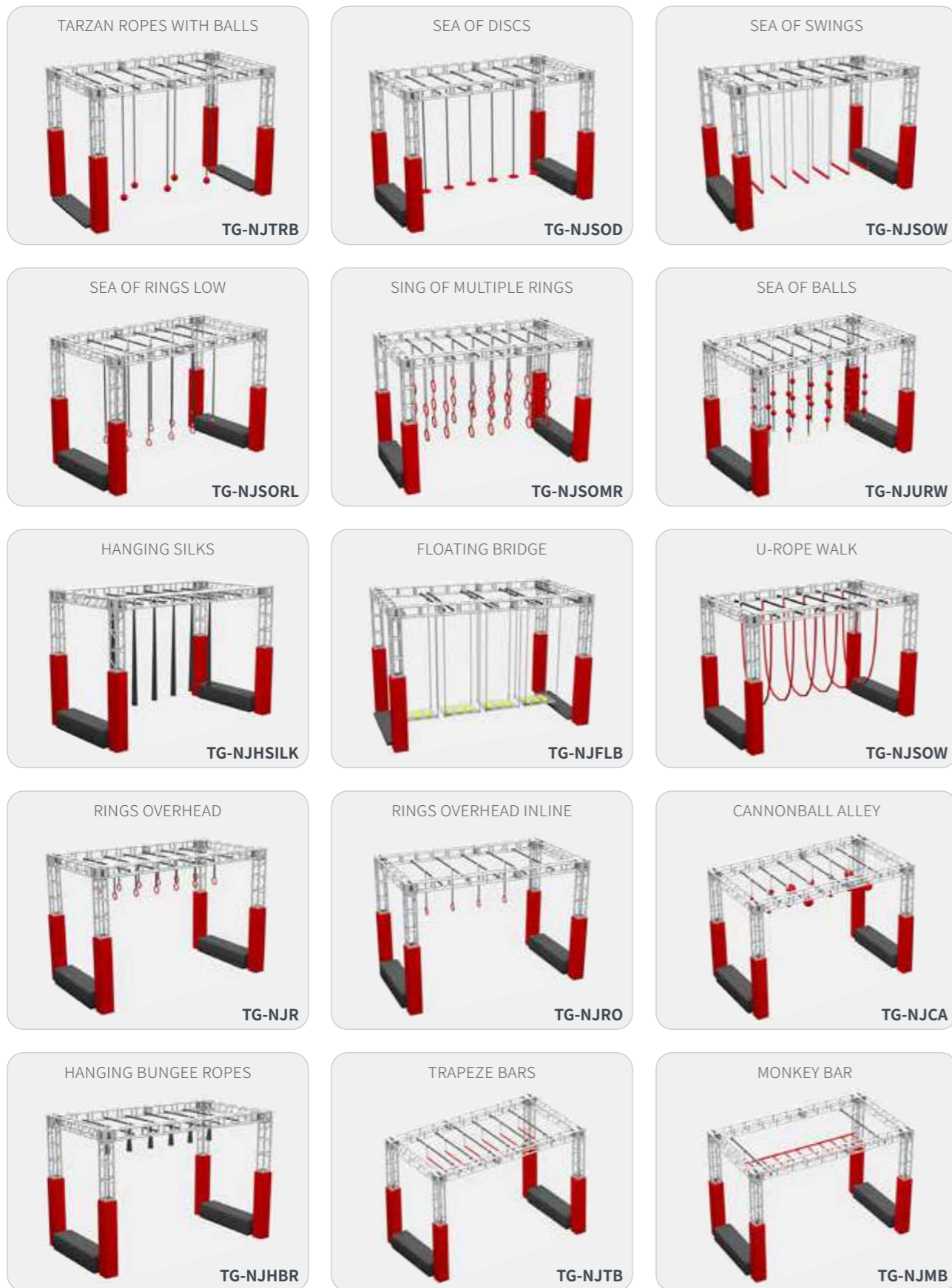
The concept of Ninja course comes from the reality show "American Ninja Warrior", which has developed into a new type of sport. Ninja course has been designed as a fun and challenging entertainment event with a combination of running, jumping, climbing, and balancing tests. Barrier racing is the latest trend in the fitness industry, and our Ninja course just provides players with this type of event.



NINJA WARRIOR PARAMETER	
PRODUCT NAME	Ninja Warrior Course
FRAME	Aluminum alloy, 12'x12' bolt truss, 6082-T6
	Main tube:50*3mm, Brace tube:25*3mm
	(WxDxH): 2x6x4m, Can be Customized Size
SAFETY MATERIAL	Carpeted foam Flooring with Velcro strips
	Crash mats
	Stand protective cover
	Soft Beach

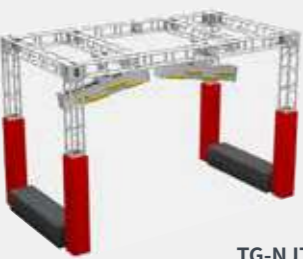
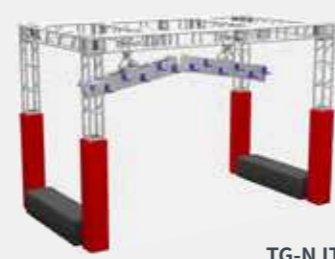
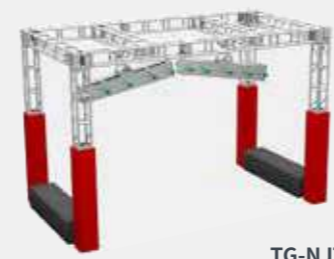
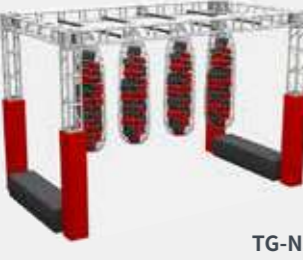
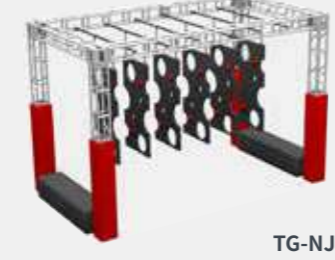
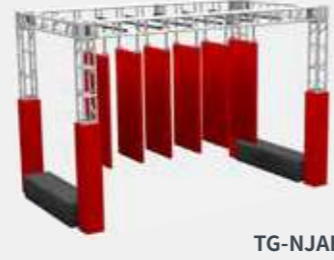



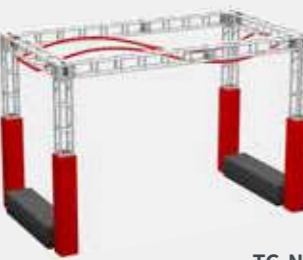
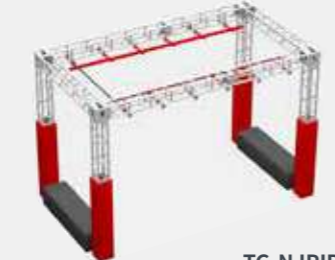
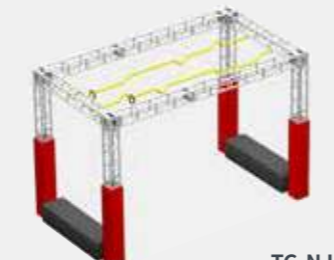
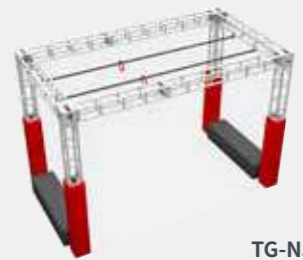

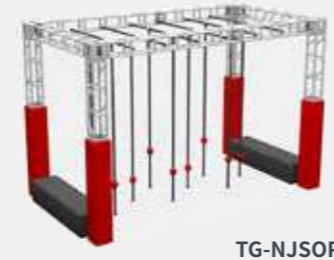
BALANCE | JUMP

<p>BALANCE LOG-HIGH</p> <p>TG-NJBLH</p>	<p>OFFSET PADDED LOGS</p> <p>TG-NJOPL</p>	<p>BAR HOPS</p> <p>TG-NJBH</p>
<p>SPINNING LOG - GROUND</p> <p>TG-NJSLG</p>	<p>BALANCE LOG LOW</p> <p>TG-NJBL</p>	<p>ANGLE RUN</p> <p>TG-NJAGRUN</p>
<p>STEPS ASCENDING</p> <p>TG-NJSA</p>	<p>STEPS CHANNEL</p> <p>TG-NJS</p>	<p>STEPS GROUND TO GROUND</p> <p>TG-NJS4</p>
<p>SONIC CURVE</p> <p>TG-NJSCP</p>	<p>STEPS GROUND TO BOX</p> <p>TG-NJCGB</p>	<p>STEPS ADJUSTABLE</p> <p>TG-NJSD</p>
<p>MEIHUA POLES</p> <p>TG-NJMPOLE</p>	<p>BALL CROSSING</p> <p>TG-NJBC</p>	<p>ISLAND HOPS-LOW</p> <p>TG-NJIHL</p>
<p>ISLAND HOPS ASCENDING</p> <p>TG-NJIH</p>	<p>BALANCE LOG-HIGH</p> <p>TG-NJIH2</p>	



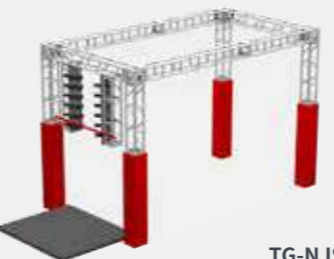
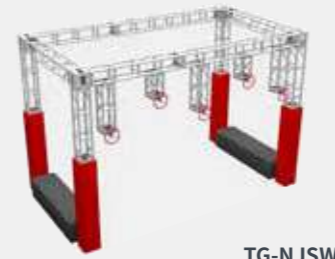
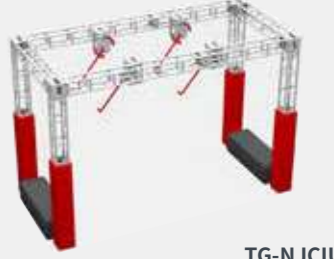
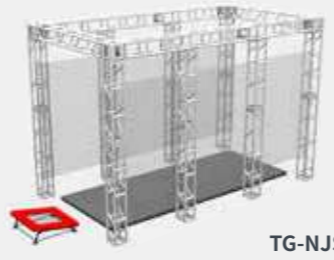
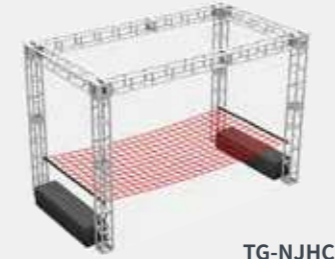
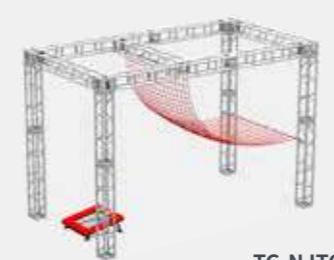
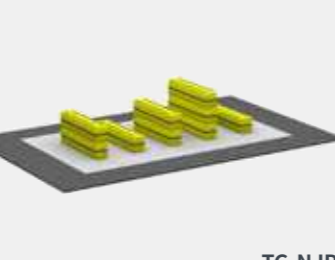
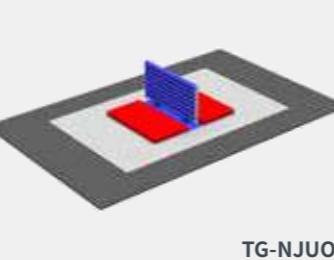
NINJA WARRIOR COURSES

CLIMB

 <p>TRaverse CLIFF HANGER</p> <p>TG-NJTCH</p>	 <p>TRaverse FLOATING STAIRS</p> <p>TG-NJTFS</p>	 <p>TRaverse GLOBE GRASP</p> <p>TG-NJTG</p>
 <p>CARGO TUBE NET WITH BALLS</p> <p>TG-NJCT</p>	 <p>HANGING DOORS</p> <p>TG-NJHD</p>	 <p>HANGING DOORS ADVANCED</p> <p>TG-NJAHD</p>
 <p>IRON PADDLER</p> <p>TG-NJIP</p>	 <p>SPINDLE ROLLER</p> <p>TG-NJSR</p>	 <p>RUMBLING DICE</p> <p>TG-NJRD</p>
 <p>CAMELBACK</p> <p>TG-NJCL</p>	 <p>PIPE SLIDER</p> <p>TG-NJPIPES</p>	 <p>RING SLIDER</p> <p>TG-NJRS</p>
 <p>RINGS AND PIPES</p> <p>TG-NJAP</p>	 <p>SEA OF POLES</p> <p>TG-NJSOP</p>	 <p>SEA OF POLES WITH BALLS</p> <p>TG-NJSOPW</p>

NINJA WARRIOR COURSES

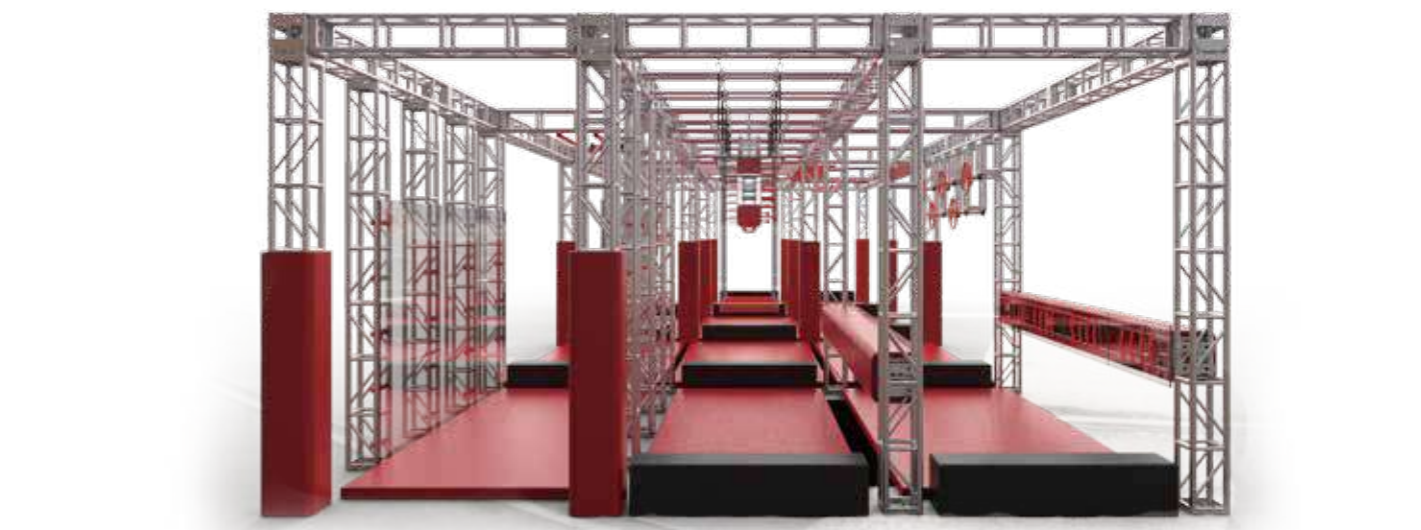
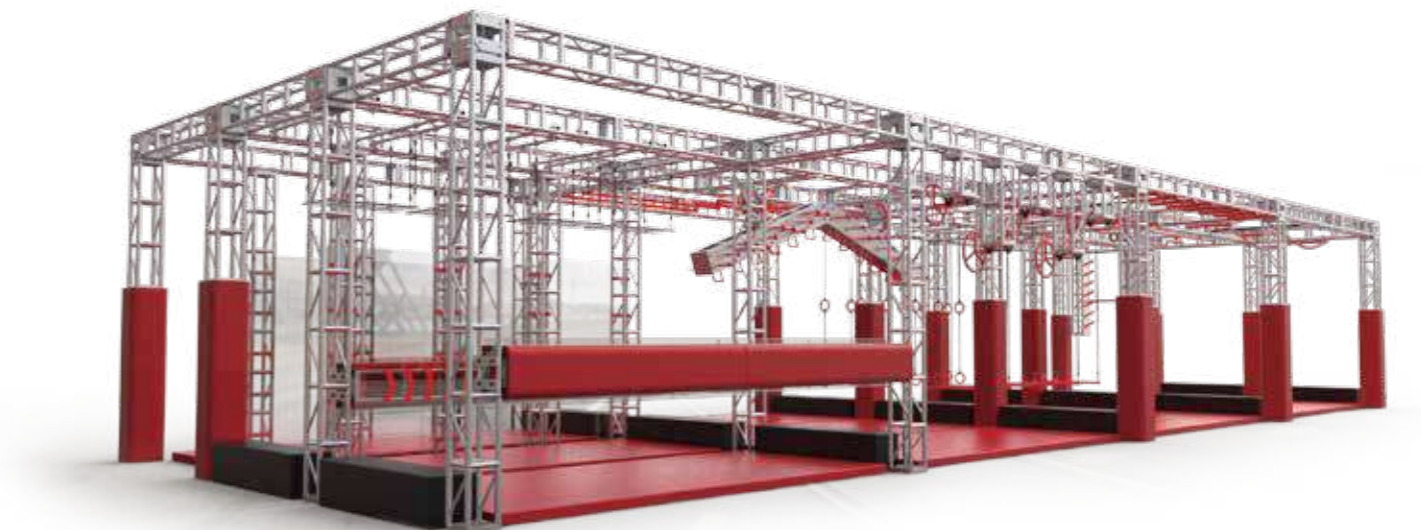
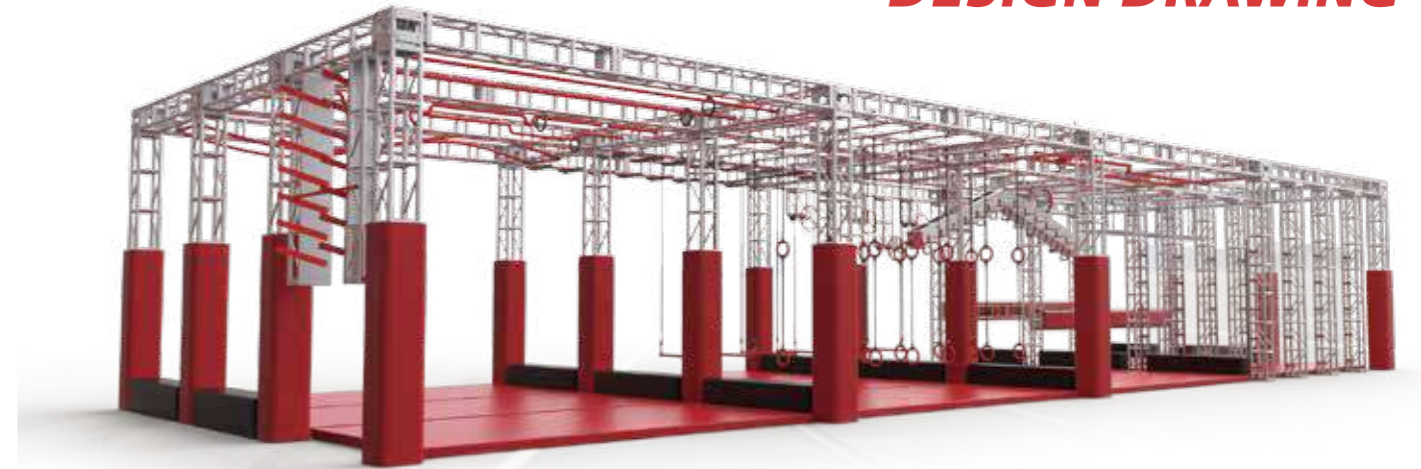
CLIMB

 <p>SALMON LADDER</p> <p>TG-NJSL</p>	 <p>SPINNING WHEELS SMALL</p> <p>TG-NJSWS</p>	 <p>CRANK IT UP</p> <p>TG-NJCIU</p>
 <p>SPIDER JUMP</p> <p>TG-NJSJ</p>	 <p>CLIMBING WALL ACRYLIC</p> <p>TG-NJCW</p>	 <p>PLANK TRAVERSE</p> <p>TG-NJPT</p>
 <p>ROPE SWING TO CARGO NET</p> <p>TG-NJSWS</p>	 <p>HORIZONTAL CARGO NET</p> <p>TG-NJHCN</p>	 <p>HORIZONTAL TUBE NET</p> <p>TG-NJHTN</p>
 <p>JUMP TO CARGO NET</p> <p>TG-NJTCA</p>	 <p>PARKOUR STEPS</p> <p>TG-NJPS</p>	 <p>KIDS SOFT PLAY</p> <p>TG-NJKSP</p>
 <p>UP AND OVER WALL</p> <p>TG-NJUOW</p>	 <p>WARPED WALLS</p> <p>TG-NJWALL</p>	

NINJA WARRIOR COURSES
ACCESSORIES

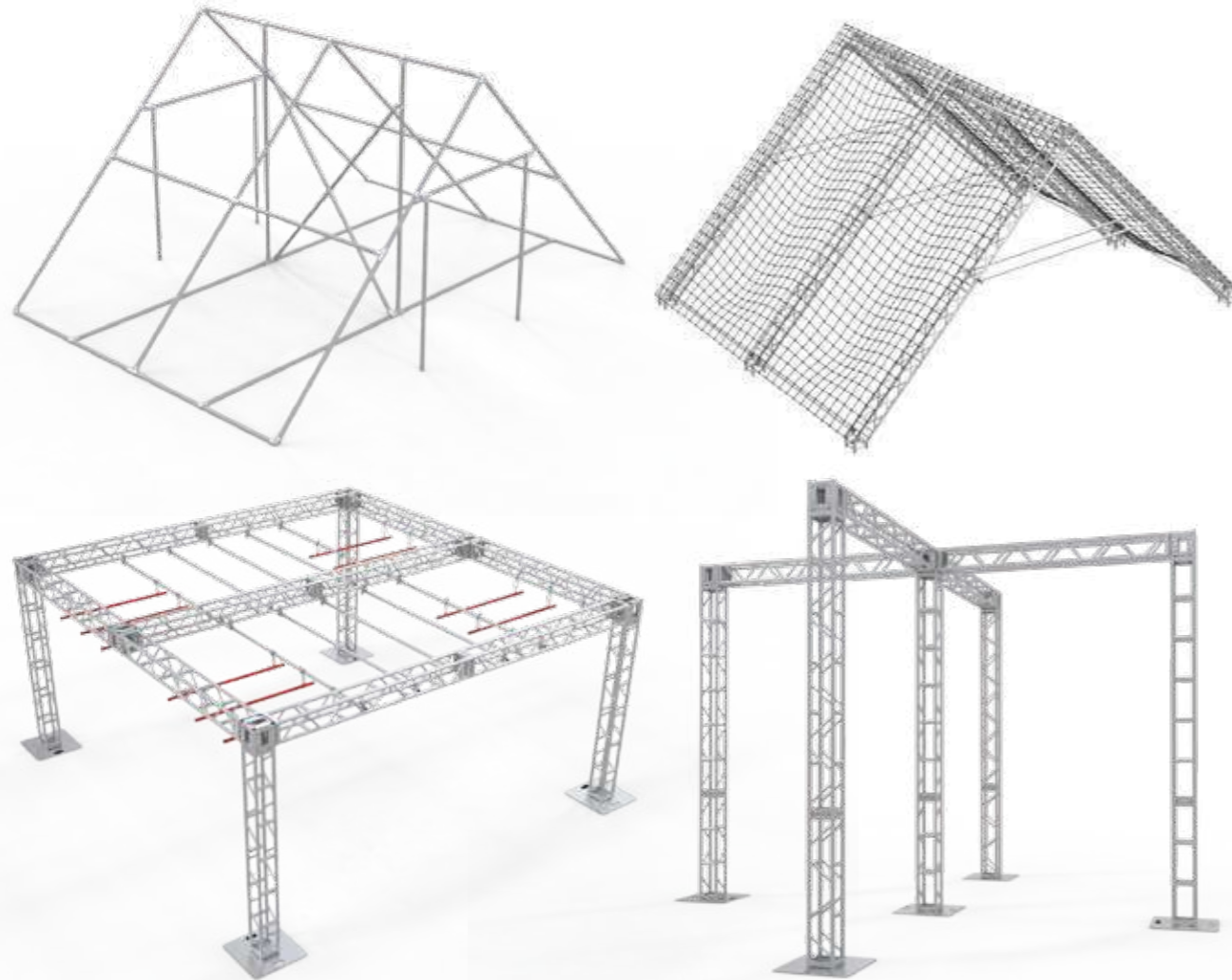


NINJA WARRIOR COURSES
DESIGN DRAWING



NINJA WARRIOR COURSES

OUTDOOR NINJA WARRIOR COURSE



NINJA WARRIOR COURSES

OBSTACLE SUPER RAMP



STAGING SYSTEM

ALUMINUM STAGE



Aluminum stage is made by stage board, stage brace, stage stand, extendable tube, adjustable base. The support and post are share with each part, so it can be firmly fixed together. The stage platform is consist with tempered glass/Acrylic, thickness plywood and aluminum frame, with it is easy to install and remove. It is widely use in live show



TECHNICAL SPECIFICATION	
STANDARD SIZES	2m x 1m, 1m x 1m 4ft x 4ft, 4ft x 8ft
PANEL	Marine plywood, plexiglass
PANEL PROPERTIES	Indoor & Outdoor Use
SURFACE	Carpet, Non-slip , Plexiglass finished
FRAME & LEGS	Aluminum (Alloy: EN-AW 6082 T6)
LEG PROFILES	50x3mm aluminum tube
ADJUSTABLE HEIGHT	0.4-0.5-0.6M
	0.6-0.8-1.0M
	0.8-1.0-1.2M
	1.0-1.3-1.5M
	1.5-1.8-2.0M



Stage Brace-Short



Stage Brace-Long



Adjustable Feet



Stage Stand



Guard Rail



Adjustable Stair

INSTALLATION STEPS



STAGING SYSTEM

QUICK STAGE



Quick stage consists of stage deck, adjustable stage legs, stage legs clamps, stage locks. It has simple disassembly and assembly by using eccentric wheels spanner, and stronger by using stage locks. The telescopic structure is adopted in series stage. The stage height can be specially be adjusted through the adjusting screw. The stage loading capacity: 750kg/sq.m



TECHNICAL SPECIFICATION	
STANDARD SIZES	2m x 1m, 1m x 1m 4ft x 4ft, 4ft x 8ft
PANEL	Marine plywood, plexiglass
PANEL PROPERTIES	Indoor & Outdoor Use
SURFACE	Carpet, Non-slip, Plexiglass finished
FRAME & LEGS	Aluminum (Alloy: EN-AW 6082 T6)
LEG PROFILES	50x3mm aluminum tube
ADJUSTABLE HEIGHT	0.3-0.5m
	0.4-0.6m
	0.6-1.0m
	0.7-1.2m
	0.8-1.4m
	1.2-2.2m



Adjusting Screw for Stage Legs



Leg Connector



Eccentric Wheels Spanner



Stage Curtain



Adjustable Stage Legs



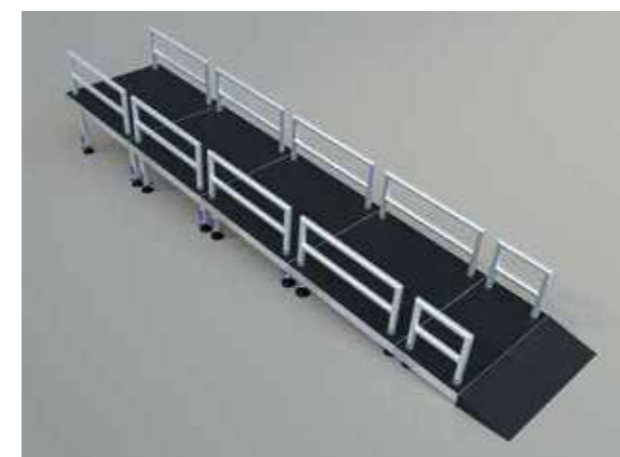
Stage with Universal Wheels



Plexiglass stage 0.7-1.2m



Plexiglass stage 1.5-2.2m



Stage Ramp



Stair with Guard rail

STAGING SYSTEM

MODULAR STAGE



Modular stage is an ideal solution to create and configure all your performance stage spaces. The innovative design can quickly and effortlessly implement a stage that matches any of your needs. It can be installed by a single person without special tools. Moreover, because of its ability to withstand a load of up to 184 lbs per ft.²



SQUARE PLATFORMS	
TG-M-SQ1	1 x 1m
TG-M-SQ3	3 x 3ft
TG-M-SQ1	4 x 4ft



RECTANGLE PLATFORMS	
TG-M-SR2X1	2 x 1m



TRIANGLE PLATFORMS	
TG-1TA1	1 x 1 x 1m
TG-1TA3	3 x 3 x 3ft
TG-1TA4	4 x 4 x 4ft



QUARTER ROUND PLATFORMS	
TG-1QR1	Radius 1m
TG-1QR3	Radius 3ft
TG-1QR4	Radius 4ft



STEP PLATFORMS	
TG-1SP1	1000 x 360mm
TG-1SP3	925 x 325mm
TG-1SP4	1220 x 325mm



STAGE GUARD RAIL	
STX-GR20	1 x 1m
TG-M-SQ1	3ft x 3ft
TG-M-SQ1	4ft x 4ft



FLIGHT CASE	
TG-F6x4x4	6 x 4ft platform+riser
TG-F6x1x1	6 x 1m platform+riser
TG-F6x3x3	6 x 3ft platform+riser

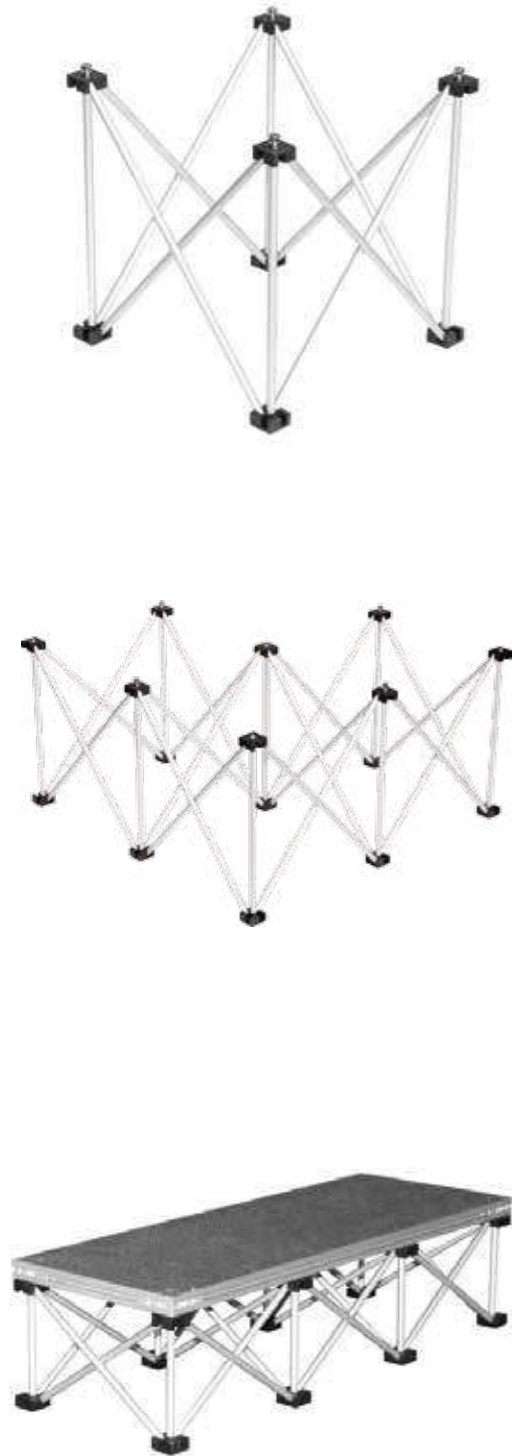


STAGE RAMP	
TG-WC3F	W:3ft , H:80cm ramp
TG-WC4F	W:4ft , H:80cm ramp
TG-WC1M	W:1m , H:80cm ramp



Model	Matching Top	Height
TG-SQ3X8	3'X3' Platform	8"
TG-SQ3X16		16"
TG-SQ3X24		24"
TG-SQ3X32		32"
TG-SQ4X8	4'X4' Platform	8"
TG-SQ4X16		16"
TG-SQ4X24		24"
TG-SQ4X32		32"
TG-SQ1X10	1MX1M platform	10cm
TG-SQ1X20		20cm
TG-SQ1X30		30cm
TG-SQ1X40		40cm
TG-SQ1X50		50cm
TG-SQ1X60		60cm
TG-SQ1X70		70cm
TG-SQ1X80		80cm
TG-SQ1X90		90cm
TG-RT21X20		1x2m rectangle platform
TG-RT21X30	30cm	
TG-RT21X40	40cm	
TG-RT21X60	60cm	
TG-RT21X80	80cm	

MODULAR STAGE



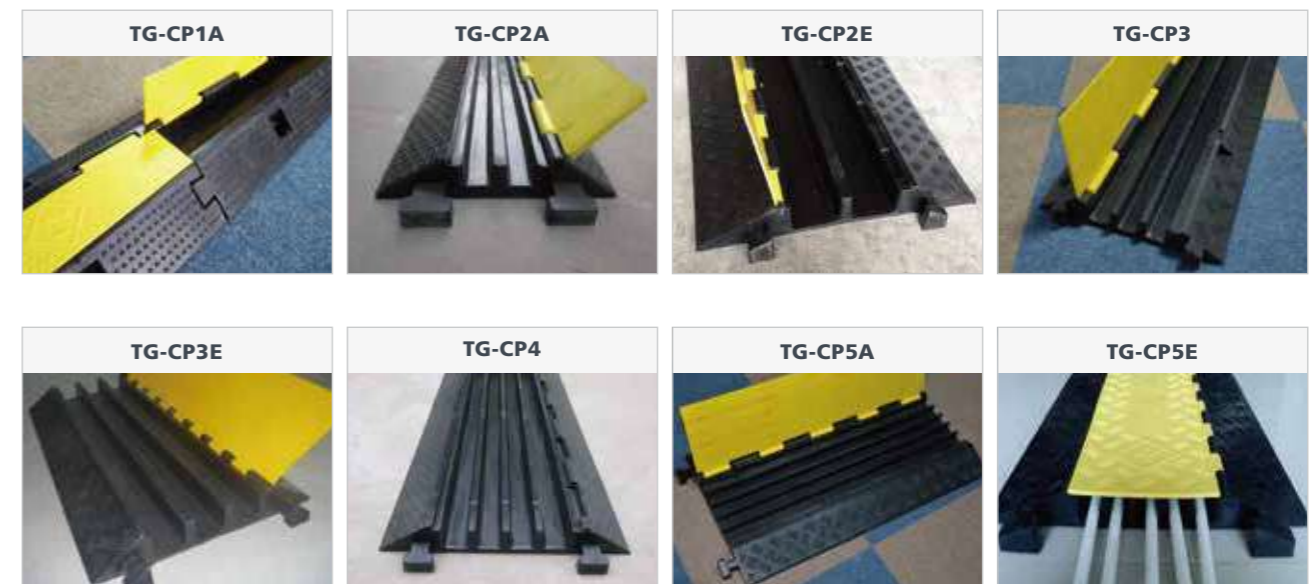
Model	Matching Top	Height
TG-TA3X8	3'X3'X3' Equilateral Triangle Platform	8"
TG-TA3X16		16"
TG-TA3X24		24"
TG-TA3X32		32"
TG-TA4X8	4'X4'X4' Equilateral Triangle Platform	8"
TG-TA4X16		16"
TG-TA4X24		24"
TG-TA4X32		32"
TG-TA1X20	1MX1M X1M Triangle Platform	20cm
TG-TA1X30		30cm
TG-TA1X40		40cm
TG-TA1X60		60cm
TG-TA1X80		80cm
TG-QR3X8	R=3' Quarter Round	8"
TG-QR3X16		16"
TG-QR3X24		24"
TG-QR3X32		32"
TG-QR4X8	R=4' Quarter Round	8"
TG-QR4X16		16"
TG-QR4X24		24"
TG-QR4X32		32"
TG-QR1X20	R=1M Quarter Round	20cm
TG-QR1X30		30cm
TG-QR1X40		40cm
TG-QR1X60		60cm
TG-QR1X80		80cm
TG-STEP3X8	925mmx325mm Step	8"
TG-STEP3X16		16"
TG-STEP3X24		24"
TG-STEP3X32		32"
TG-STEP4X8	1220mmx325mm Step	8"
TG-STEP4X16		16"
TG-STEP4X24		24"
TG-STEP4X32		32"
TG-STE15	1220mmx325mm Step	15cm
TG-STE20		20cm
TG-STE30		30cm
TG-STE40		40cm
TG-STE60		60cm
TG-STE80		80cm

CABLE PROTECTORS



Cable Protector keeps up to 1, 2, 3, 4, 5 cables, hoses, or wires protected from traffic. The protector is made from a commercial grade rubber base with a PVC flap, allowing it to support up to 20T per Sq. m. The surface has a diamond pattern tread for additional traction. The yellow flip-up lid is easily visible, and has molded in safety warnings.

Model No	Overall Size	Channel Size	Weight	Base	lid	Capacity
TG-CP1A	1000X260X65mm	70mmX50mm	9kg	Black rubber	Yellow EVA	20T
TG-CP2A	1000X250X45mm	30mmX33mm	10kg	Black rubber	Yellow EVA	20T
TG-CP2E	900X600X100mm	90mmX90mm	22kg	Black rubber	Yellow EVA	20T
TG-CP3	1000X300X47mm	35mmX30mm	8.5kg	Black rubber	Yellow EVA	20T
TG-CP3E	910X500X70mm	70mmx50mm	15kg	Black rubber	Yellow EVA	20T
TG-CP4	910X500X60mm	45mmX40mm	18kg	Black rubber	Yellow rubber	20T
TG-CP5A	910X500X50mm	35mmX35mm	13kg	Black rubber	Yellow rubber	20T
TG-CP5E	900x600x75mm	40mmX50mm	25kg	Black rubber	Yellow rubber	20T



STAGING SYSTEM

PIPE & DRAPE



Tourgo provides you with all the trade show booth components -Including uprights,bases,drape and drape supports

- You need to create:
- Tradeshow booths
 - Backdrops
 - Room dividers
 - Stage areas
 - Photo booths

Telescopic upright



Model No	Description
TG-TS35	3'-5' Telescopic Upright
TG-TS47	4'-7' Telescopic Upright
TG-TS58	5'-8' Telescopic Upright
TG-TS610	6'-10' Telescopic Upright
TG-TS614	6'-14' Telescopic Upright
TG-TS712	7'-12' Telescopic Upright
TG-TS717	7'-17' Telescopic Upright
TG-TS814	8'-14' Telescopic Upright
TG-TS820	8'-20' Telescopic Upright
TG-TS916	9'-16' Telescopic Upright
TG-TS1018	10'-18' Telescopic Upright
TG-TS1120	11'-20' Telescopic Upright

Adjustable crossbar



Model No	Description
TG-TS35	2'-3'TDS (stops at 3')
TG-TS35	4'-7'TDS (stops at 6' & 7')
TG-TS35	5'-8'TDS (stops at 8')
TG-TS35	6'-10'TDS (stops at 8' & 10')
TG-TS35	7'-12'TDS (stops at 10' & 12')
TG-TS35	8'-14'TDS (stops at 10',12' & 14')
TG-TS35	9'-16TDS (stops at 12',14' & 16')

Steel base plate



Model No	Description
TG-BS2929-5	290 x 290 x 5MM
TG-BS4040-5	400 x 400 x 5MM
TG-BS4240-5	420 x 400 x 5MM
TG-BS4545-5	450 x 450 x 5MM
TG-BS5151-5	510 x 510 x 5MM
TG-BS4242-12	420 x 420 x 12MM
TG-BS4545-10	450 x 450 x 10MM
TG-BS5050-8	500 x 500 x 8MM
TG-BS3030-5	300 x 300 x 5MM

Curtain

1.The world-class drape-Velvet

It is made from cotton fabric and famous for its heavy fabric and brilliant third dimension. Weight:250g/m²-660g/m².



2.Hemp soft cloth

Hemp soft is made of pure cotton. People will be attracted by its stiff villus ,natural colour and brilliant flame-resisting quality It belongs to high property curtains. Weight:250g/m².



Upright Repair Ends



Shelf Hanger



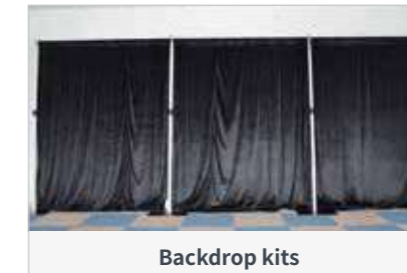
Double Wall Hanger



Valance Hanger



Room Dividers



Backdrop kits



Photo booths



STAGING SYSTEM

LED STAR CURTAIN

LED star curtain, adopted with velvet curtain cloths and LED stars. It can be custom made for different occasions such as stage backdrop, night club, live show, fashion theater, TV station, wedding, bar, disco entertainment, big stage, home or outdoor party and so on.



Single Color LED Curtain	
Material	Double deck fireproof velvet
Voltage	AC 90V~260V/50Hz
Fuse	3A(Power Supply) 10A(Control PCB)
Control System	All on / DMX Controller/ Sound Active/Automatic
Channel	8CH
Programs	17 different programs in multi controller
LED color	single color mixed (R/G/B/Y/W/UV/RGBY/RGBW)
Lamp	LED 5050 SMD about 20 pcs led/SQM
Input Voltage	DC12V
Watts	150W
Curtain Color	black, dark blue, white, red and etc
Regular size	2x3M, 3x4M, 3x6M, 4x6M, 4x8M
Any size can be customized	



RGB LED Curtain	
Material	Double deck fireproof velvet
Voltage	AC 90V~260V/50Hz
Fuse	3A(Power Supply) 10A(Control PCB)
Control System	All on / DMX Controller/ Sound Active/Automatic
Channel	8CH
Programs	30 different programs in multi controller
LED color	RGB 3in1
Lamp	LED 5050 SMD about 20 pcs led/SQM
Input Voltage	DC12V
Watts	150W
Curtain Color	black, dark blue, white, red and etc
Regular size	2x3M, 3x4M, 3x6M, 4x6M, 4x8M
Any size can be customized	



FLOORING SYSTEM

LED STARLIT DANCE FLOOR



Our new floors gives your wedding, party or any event an extra sparkle. The floor can be set to static (permanent led lit) or sparkle mode with various speeds at a touch of a remote control. The appearance of the white Starlit Dance floor can be changed by projecting colored lighting onto its surface. This offers great flexibility to change the mood of the room or marquee.

White Starlit Dance Floor	
Input Voltage	AC90-240
Output Voltage	36V
Size per panel	2ftX2ft, 2ftX4ft
LED QTY	16 pieces(2ftX2ft), 32 pieces (2ftX4ft)
Watt	4W
Effect	Twinkling(the speed can be adjusted by wireless remote)
Weight	6KG (2ftX2ft), 13KG (2ftX4ft)



Wireless Connectors



Power Supply Remote



Aluminum Edge



Unit panel



Loading Test



Flight Case Packing

PVC DANCE FLOOR

	Dimension(cm)	Dimension(inch)	Weight(kg)	Weight(lb)
Full Panel	121.6 X 60.8 X 2.8	48 X 24 X 1.06	11	26.40lbs
Half Panel	60.8 X 60.8 X 2.8	24 X 24 X 1.06	5.5	13.20lbs
Full Edge	121.6 X 12.5 X 2.8	48 X 5 X 1.06	1.3	2.86lbs
Half Edge	60.8 X 12.5 X 2.8	24 X 5 X 1.06	0.7	1.54lbs
R/L Corners	37.8 X 12.5 X 2.8	14.9 X 5 X 1.06	0.5	1.10lbs

Floor Size	Half Panel	Full Panel	Powered Edge	Full Edge	Half Edge	R/L Corner
8 X 8 Feet	4	6	1	4	4	4
10 X 10 Feet	5	10	1	7	2	4
12 X 10 Feet	6	12	1	7	4	4
12 X 12 Feet	6	15	1	8	4	4
14 X 12 Feet	6	18	1	9	4	4
14 X 14 Feet	7	21	1	11	2	4
16 X 14 Feet	8	24	1	12	4	4
16 X 16 Feet	8	28	1	12	4	4
18 X 14 Feet	9	27	1	13	2	4
18 X 16 Feet	8	32	1	14	2	4
18 X 18 Feet	9	36	1	15	2	4
20 X 16 Feet	8	36	1	14	4	4
20 X 18 Feet	8	41	1	15	4	4
20 X 20 Feet	10	45	1	16	4	4
22 X 20 Feet	10	50	1	18	2	4
22 X 22 Feet	11	55	1	19	2	4
24 X 22 Feet	10	61	1	20	3	4
24 X 24 Feet	12	66	1	21	3	4



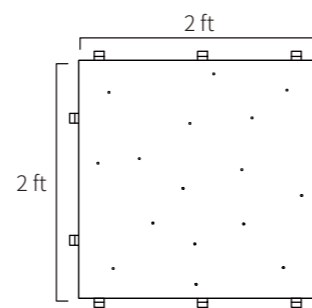
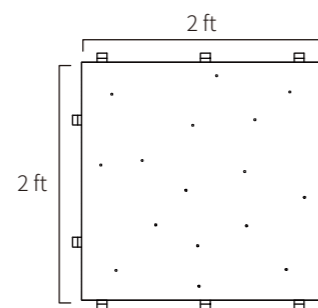
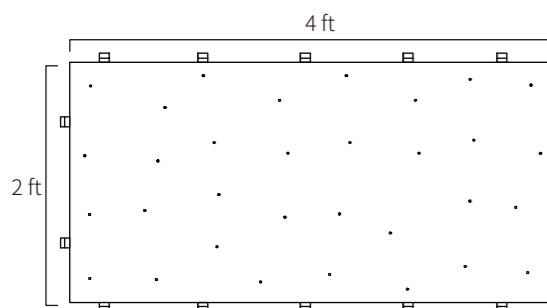
Using interlocking PVC panels to create a stunning dance floor, this dance floor package is the perfect finishing touch for your special event, whether it be a gala dinner, ball, wedding or corporate event, for example. Black and white checked dance floors are the classic design and look fabulous whatever the event.

Specification

- Base Material: Polypropylene co-polymer/High-impact material
- Surface Material: Vinyl -Marble Looking Series
- Module Size:462x462x23mm
- Module Weight:1.9kg
- Aluminum/Edging: Size:924mm/800mm/693mm/462mm



- High gloss, interlocking panels
- Cool white or RGB LEDs
- Aluminium edge trim
- High quality, Meanwell SMPSU
- RF remote control with static and adjustable rate flash and twinkle



INTERPRETER BOOTHS

1-PERSON INTERPRETER BOOTHS



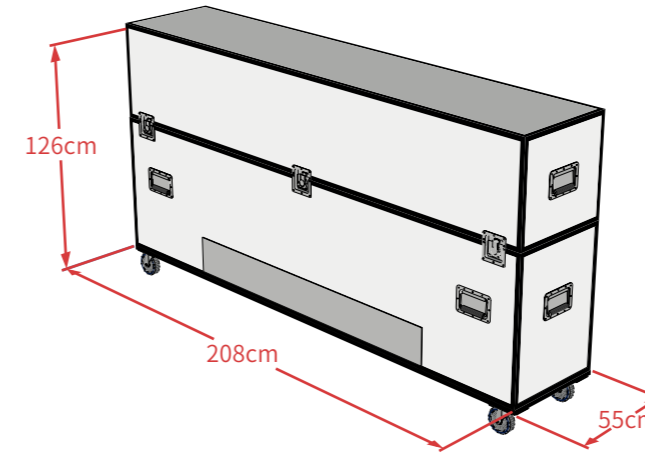
TG-1LBOOTHS



External Dimension in mm	W 1100 x D 1500 x H 2150 incl, ventilation fans
Internal Dimension in mm	W 1030 x D 1430 x H 2000
Panel Thickness in mm	35
Weight	120 kg incl. ventilation system and table
Colour	Dark gray (Other colours available on request)
Sound insulation capacity	Comply with ISO 4043
Table Dimensions in mm	1030 x 500
Front Window Dimension in mm	1000 x 860
Side Window Dimension in mm	580 x 860
Ventilation	included
Power Supply	110~240 V, 50/60Hz 10A
LED Lighting	available



Total packaging weight : 180.4 kg



Storage & Shipping:

Included (1) ATA-300 shipping cases on wheels
Outside case dim. 208 cm x 126 cm x 51 cm
(L x H x D)

Air ventilation:

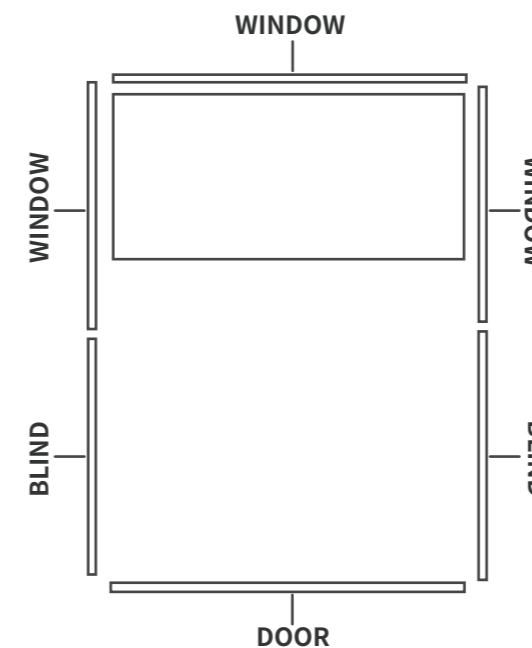
Included (2) silent SUNON 110 or 220 volts fan assembly units CSA approved.

Options:

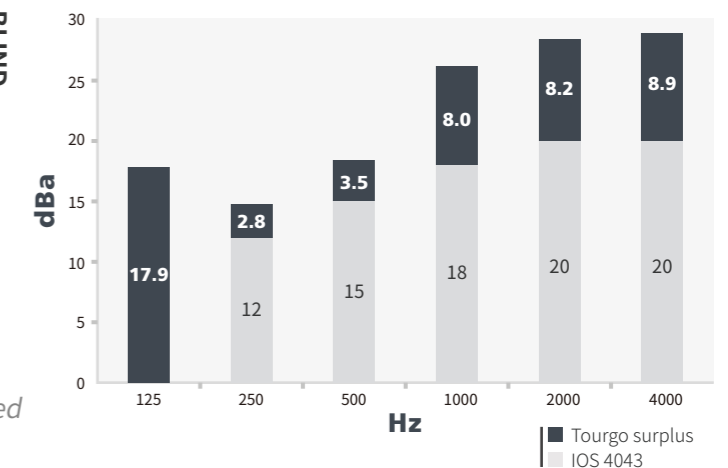
Easy to install working table, double Plexiglass windows, soundproof flooring, interior partition systems, custom size built.

Construction:

Each panel is built with fireproof plywood exterior with special isolated soundproof fiberglass panel. Material is fire retardant. Inside covering is made with acoustic tile 100% polyester. Cotton of 9 mm. Woven density and weight of 60 gr. per meter. Framing is Aluminum extrusion with unique connecting concept with industrial hooks for easy assembly without tools.



PANELS	DIMENSIONS	WEIGHT
Standard panels (2)	71 cm x 200 cm	13.0 kg
Front Window panel(1)	110 cm x 200 cm	20.0 kg
Side Window panel(2)	75 cm x 200 cm	16.4 kg
Door panel(1)	110 cm x 200 cm	18.0 kg
Roof panels (2)	75 cm x 112 cm	7.7 kg
TOTAL PANELS WEIGHT		120.4 kg
TOTAL PANELS & CASES WEIGHT		180.4 kg



Assembly: No tools are required
Approx. Assembly time: 10 minutes

INTERPRETER BOOTHS

2-PERSON INTERPRETER BOOTHS



TG-2LBOOTHS



Total packaging weight : 230.0 kg



Storage & Shipping:

Included (1) ATA-300 shipping cases on wheels
Outside case dim. 208 cm x 105 cm x 72 cm
(L x H x D)



Air ventilation:

Included (2) silent SUNON 110 or 220 volts fan assembly units CSA approved.

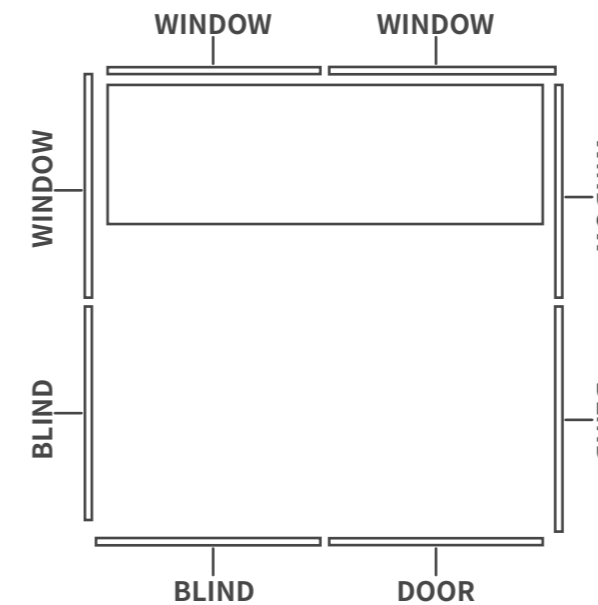
Options:

Easy to install working table, double Plexiglass windows, soundproof flooring, interior partition systems, custom size built.

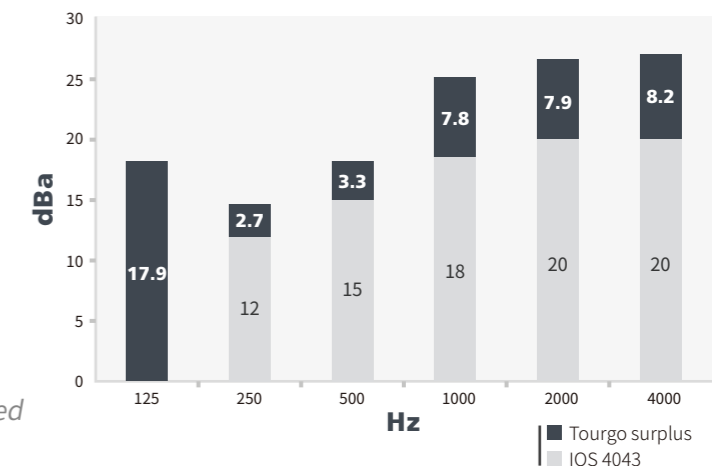
Construction:

Each panel is built with fireproof plywood exterior with special isolated soundproof fiberglass panel. Material is fire retardant. Inside covering is made with acoustic tile 100% polyester. Cotton of 9 mm. Woven density and weight of 60 gr. per meter. Framing is Aluminum extrusion with unique connecting concept with industrial hooks for easy assembly without tools.

External Dimension in mm	W 1670 x D 1670 x H 2150 incl, ventilation fans
Internal Dimension in mm	W 1600 x D 1600 x H 2000
Panel Thickness in mm	35
Weight	160 kg incl. ventilation system and table
Colour	Dark gray Other colours available on request
Sound insulation capacity	Comply with ISO 4043
Table Dimensions in mm	1600 x 500
Window Dimension in mm	680 x 860
Ventilation	included
Power Supply	110~240 V, 50/60Hz 10A
LED Lighting	available



PANELS	DIMENSIONS	WEIGHT
Standard panels (3)	81 cm x 200 cm	13.5 kg
Window panel(4)	85 cm x 200 cm	17.5 kg
Door panel(1)	85 cm x 200 cm	18.6 kg
Roof panels (2)	85 cm x 161 cm	9.8 kg
TOTAL PANELS WEIGHT		160.0 kg
TOTAL PANELS & CASES WEIGHT		230.0 kg



Assembly: No tools are required
Approx. Assembly time: 10 minutes

INTERPRETER BOOTHS

EASY-TO-ELEVATOR 2-PERSON INTERPRETER BOOTHS



TG-2NBOOTHS



External Dimension in mm	W 1600 x D 1600 x H 2150 incl, ventilation fans
Internal Dimension in mm	W 1530 x D 1530 x H 2000
Panel Thickness in mm	35
Weight	142 kg incl. ventilation system and table
Colour	Dark gray Other colours available on request
Sound insulation capacity	Comply with ISO 4043
Table Dimensions in mm	1530 x 500
Window Dimension in mm	680 x 880
Ventilation	included
Power Supply	110~130V/220~240V - 50~60Hz 10A
Be Optional	Standard Configuration
LED Light	Remote Controller, can adjust brightness



Total packaging weight : 250.0 kg



Storage & Shipping:

Included (2) ATA-300 shipping cases on wheels
Outside case dim. 127 cm x 64 cm x 104 cm;
92 cm x 64cm x 104cm (L x H x D)



Air ventilation:

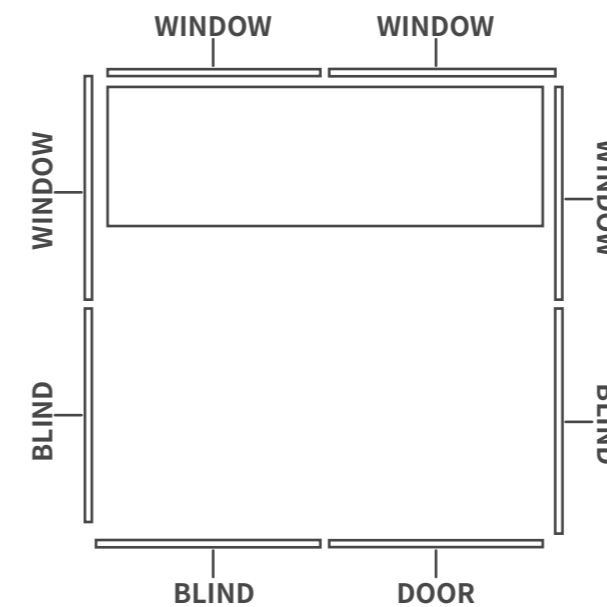
Included (2) silent SUNON 110 or 220 volts fan assembly units CSA approved.

Options:

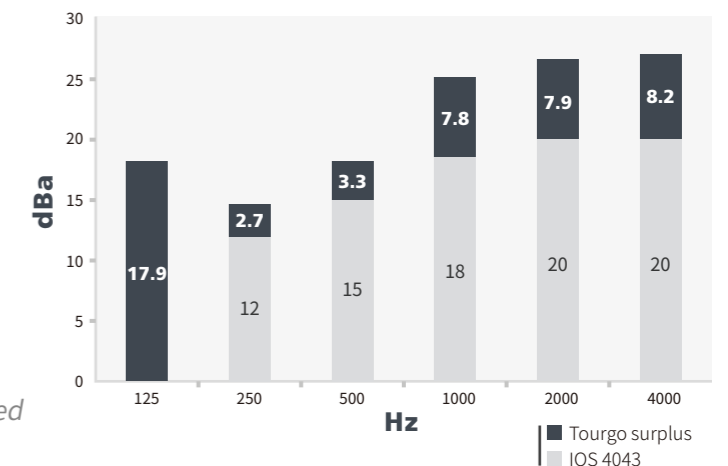
Easy to install working table, double Plexiglass windows, soundproof flooring, interior partition systems, custom size built.

Construction:

Each panel is built with fireproof plywood exterior with special isolated soundproof fiberglass panel. Material is fire retardant. Inside covering is made with acoustic tile 100% polyester. Cotton of 9 mm. Woven density and weight of 60 gr. per meter. Framing is Aluminum extrusion with unique connecting concept with industrial hooks for easy assembly without tools.



PANELS	DIMENSIONS	WEIGHT
Standard panels (10)	80 cm x 100 cm	6 kg
Window panel(4)	80 cm x 100 cm	8 kg
Door panel(2)	80 cm x 100 cm	9 kg
Roof panels (4)	81 cm x 81 cm	5 kg
TOTAL PANELS WEIGHT		142.0 kg
TOTAL PANELS & CASES WEIGHT		250.0 kg



Assembly: No tools are required
Approx. Assembly time: 10 minutes

INTERPRETER BOOTHS

3-PERSON INTERPRETER BOOTHS



TG-3LBOOTHS



External Dimension in mm	W 2470 x D 1670 x H 2150 incl, ventilation fans
Internal Dimension in mm	W 2400 x D 1600 x H 2000
Panel Thickness in mm	35
Weight	216 kg incl. ventilation system and table
Colour	Dark gray Other colours available on request
Sound insulation capacity	Comply with ISO 4043
Window Dimension in mm	680 x 860
Ventilation	included
Power Supply	110~240 V, 50/60Hz 10A
LED Lighting	available



Total packaging weight : 286.0 kg



Storage & Shipping:

Included (2) ATA-300 shipping cases on wheels
Outside case dim. 208 cm x 105 cm x 72 cm;
208 cm x 105cm x 37cm (L x H x D)

Air ventilation:

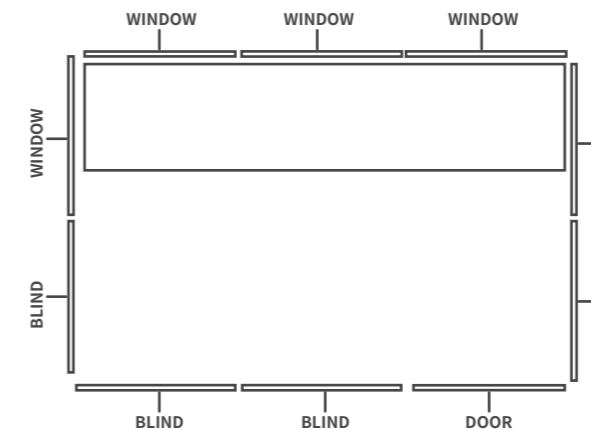
Included (2) silent SUNON 110 or 220 volts fan assembly units CSA approved.

Options:

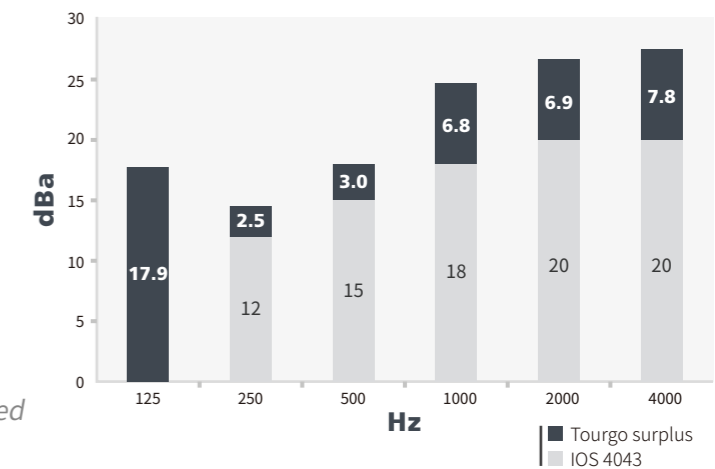
Easy to install working table, double Plexiglass windows, soundproof flooring, interior partition systems, custom size built.

Construction:

Each panel is built with fireproof plywood exterior with special isolated soundproof fiberglass panel. Material is fire retardant. Inside covering is made with acoustic tile 100% polyester. Cotton of 9 mm. Woven density and weight of 60 gr. per meter. Framing is Aluminum extrusion with unique connecting concept with industrial hooks for easy assembly without tools.



PANELS	DIMENSIONS	WEIGHT
Standard panels (4)	81 cm x 200 cm	13.5 kg
Window panel(5)	85 cm x 200 cm	17.5 kg
Door panel(1)	85 cm x 200 cm	18.6 kg
Roof panels (3)	85 cm x 161 cm	9.8 kg
TOTAL PANELS WEIGHT		216.0 kg
TOTAL PANELS & CASES WEIGHT		286.0 kg



Assembly: No tools are required
Approx. Assembly time: 10 minutes

INTERPRETER BOOTHS

TABLE TOP BOOTHS



TG-2TBOOTHS

External Dimension in mm

W 1200 x D 600 x H 600

NO fans

Internal Dimension in mm

W 1140 x D 540 x H 570

Panel Thickness in mm

30

Weight

40.8 kg

Colour

Dark gray

Other colours available on request

Flight Case with inner wheels

Available



TG-2ETBOOTHS

External Dimension in mm

W 1400 x D 700 x H 700

NO fans

Internal Dimension in mm

W 1340 x D 640 x H 670

Panel Thickness in mm

30

Weight

47.3 kg

Colour

Dark gray

Other colours available on request

Flight Case with inner wheels

Available

INTERPRETER BOOTHS

ACCESSORIES

TG-5T4BS



Outside Dimension

L 76 x W 71 x D 9 cm

Open Dimension

L 152 x W 71 x H 74 cm

Packing Dimension

L 78 x W 71 x D 10 cm

Net Weight

11.2 kg

Colour

White

TG-6T14BS



Outside Dimension

L 90 x W 74 x D 9 cm

Open Dimension

L 180 x W 74 x H 74 cm

Packing Dimension

L 92 x W 76 x D 10 cm

Net Weight

14 kg

Colour

White

TG-IBTY



Outside Dimension

W 120 x D 60 x H 60 cm

Weight

28.0 kg

Colour

Black

Load Bearing

250 kg

4" Swivel Plate Casters

2+2 Brakes

Usage

Loading 11 pcs interpreter booth panels

TG-VS110



Outside Dimension

13 x 18 x 36 cm

Power Supply

110~130V/220~240V - 50~60Hz 10A

Plug

UK/Euro/US/China Plugs

Cable Length

150 cm

Speed control

Available

Brand of Fan

SUNON